



Specifications: **260 Series**

Features:

- UL Recognized
- Wire guard standard on all series
- Natural white color
- Captive screws
- Unique pluggable design

Electrical:

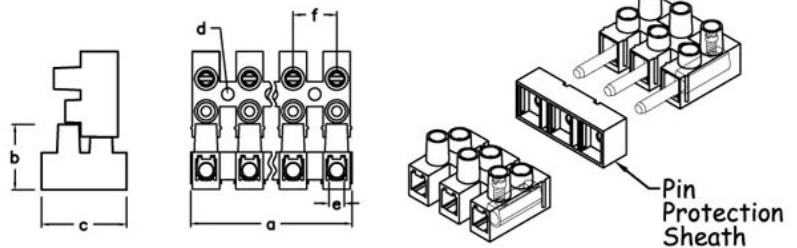
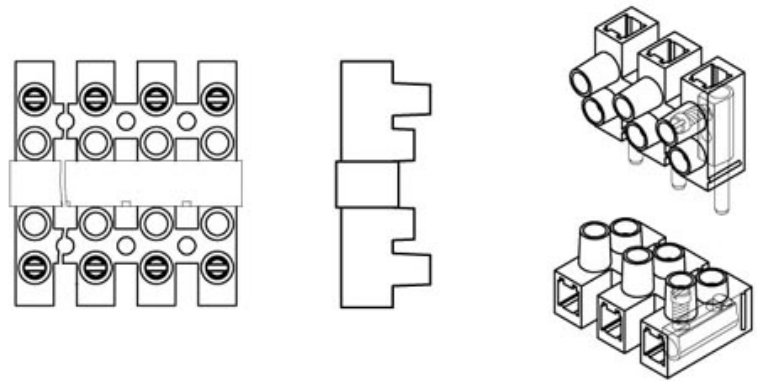
Current: 20A @ 450V
 Wire Range: 12-22 AWG
 Operating temp: -40°C - +100°C
 Withstanding: 2000V AC per min.
 IR: >1000MΩ (500V DC)
 Torque: 10 lb-in.

Materials:

Housing: Polyamide 66 UL94V-0
 Terminal: Brass, Nickle Plated
 Screw: M3 combo head
 Screw material: Zinc plated Steel
 Positions available: 2-12

20A @ 450V

12.0mm



Distributed by: Electro-Stock, Inc. sales@electrostock.com
<http://www.electrostock.com> 630-682-1542 Fax: 630-682-1562

