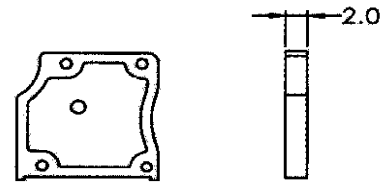
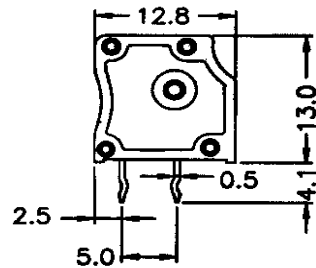
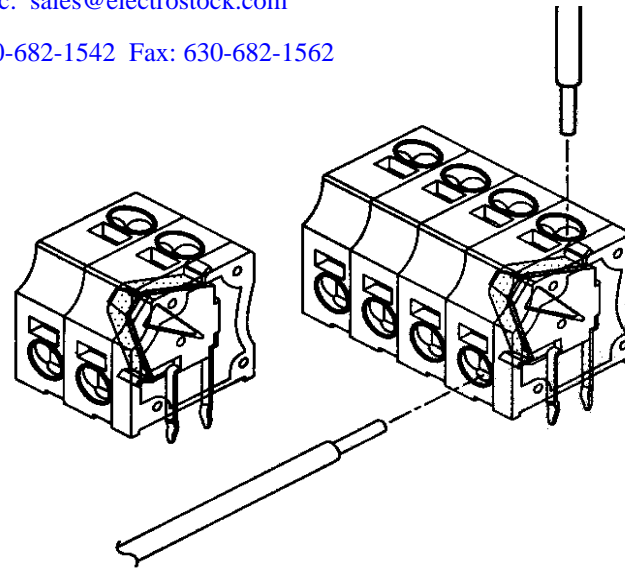
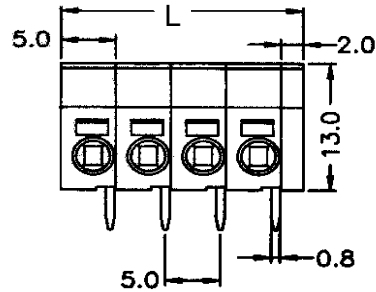


Distributed by: Electro-Stock, Inc. sales@electrostock.com

http://www.electrostock.com 630-682-1542 Fax: 630-682-1562



END CLOSER

### Specifications and Materials

Section Pull Apart Force:	3.0 kg (min.)
Rating:	10A @ 450 V
Wire Range:	20 to 16 AWG
Temperature Range:	-40C - +120
Materials (1): Molded Parts	Polyamide 6/6 (UL94V-O)
Materials (2): Insert	Stainless Steel / Silver Plated Brass



All dimensions are in MM unless otherwise specified

Drawing Number:

622-3xx/x

Date: 4/26/2002

Title:

**622-3**