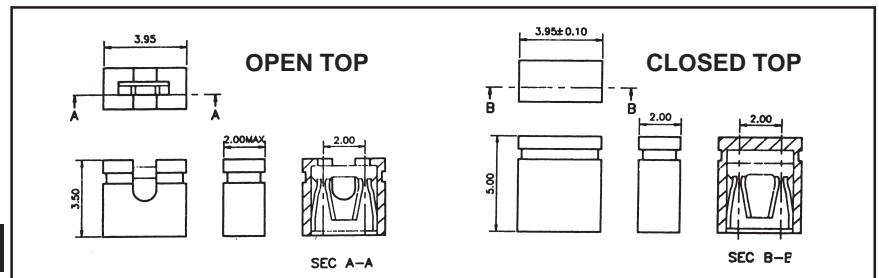
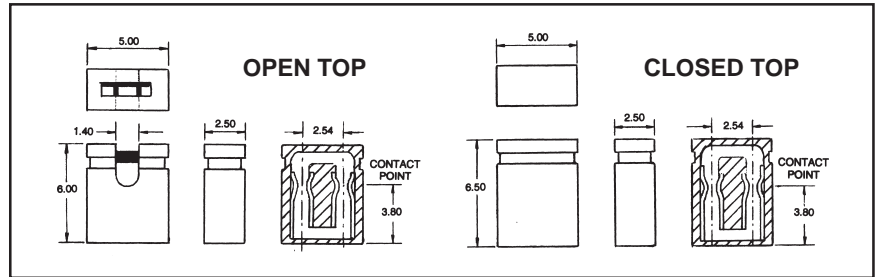
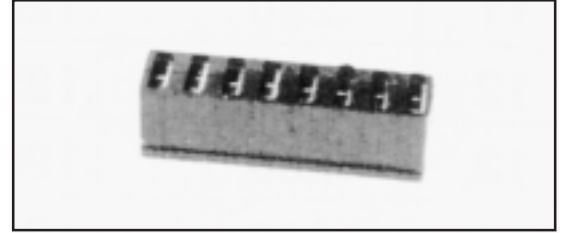


# SHUNTS

Distributed by Electro-Stock, Inc. sales@electrostock.com  
630-682-1542 Fax 630-682-1562 http://www.electrostock.com

## SPECIFICATION:

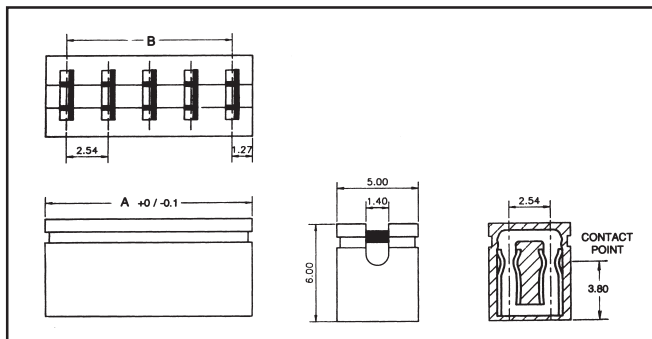
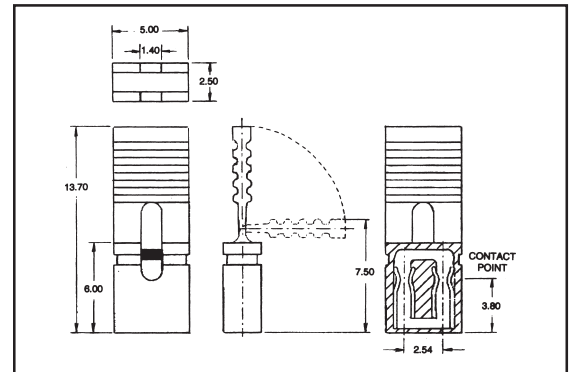
- INSULATOR MATERIAL:**  
2.54mm: THERMOPLASTIC  
2.00mm: PBT
- FLAMMABILITY RATING:**  
UL94V-0
- INSULATION RESISTANCE:**  
1000 MEGOHMS MIN.
- OPERATING TEMPERATURE RANGE:**  
-55° C TO +105° C
- CONTACT MATERIAL:**  
PHOSPHOR BRONZE
- CONTACT PLATING:**  
REFER TO ORDER INFORMATION
- CURRENT RATING:**  
2.54mm: 3 AMPS  
2.00mm: 2 AMPS
- CONTACT RESISTANCE:**  
2.54mm: 15 MILLIOHMS MAX.  
2.00mm: 20 MILLIOHMS MAX.
- DURABILITY:**  
100 CYCLES  
PER MIL-STD-1344A METHOD 2016
- VIBRATION:**  
PER MIL-STD 1344A METHOD 2005.1  
TEST CONDITION
- SOLDERABILITY:**  
PER MIL-STD-202F METHOD 208D



## ORDER INFORMATION:

**C10 X - XXX - 1 - X**  
**1 2 3 4 5**

- 1: **SERIES** C10 SHUNTS
- 2: **STYLE/SPACING**
  - A...2.54mm CLOSED TOP
  - B...2.54mm OPEN TOP
  - C...2.54mm CLOSED TOP, 8.5mm HT.
  - D...2.00mm CLOSED TOP
  - E...2.00mm OPEN TOP
  - H...2.54mm OPEN TOP WITH HANDLE
  - M...2.54mm MULTIPLE POSITION
- 3: **NUMBER OF POSITIONS**
  - 002...STYLES A, B, C, D, E, H
  - 002 TO 010...STYLE M (REFER TO DIMENSION TABLE BELOW)
- 4: **INSULATOR COLOR**
  - 1...BLACK (CONSULT FACTORY FOR OTHER COLOR OPTIONS)
- 5: **CONTACT PLATING**
  - 1...GOLD FLASH
  - 4...15u" GOLD
  - 5...30u" GOLD



PART NO.	NO. OF POSITIONS	A	B
C10M-002	2 X 2	5.08	2.54
C10M-003	2 X 3	7.62	5.08
C10M-004	2 X 4	10.16	7.62
C10M-005	2 X 5	12.70	10.16
C10M-006	2 X 6	15.25	12.70
C10M-007	2 X 7	17.78	15.24
C10M-008	2 X 8	20.32	17.78
C10M-009	2 X 9	22.86	20.32
C10M-010	2 X 10	25.40	22.86

**DIMENSION INFORMATION**

**MULTIPLE POSITION SHUNT - DRAWING**