

# 1.27mm HEADER MALE

Distributed by Electro-Stock, Inc. sales@electrostock.com  
630-682-1542 Fax 630-682-1562 http://www.electrostock.com

- DOUBLE ROW
- SMT TYPE
- LOW PROFILE
- 1.27mm X 1.27mm

## SPECIFICATION:

**INSULATOR MATERIAL:**  
NYLON 6 T

**FLAMMABILITY RATING:**  
UL 94V-0

**INSULATION RESISTANCE:**  
5000 MEGOHMS MIN.  
PER MIL-STD-1344A METHOD 3003.1

**OPERATING TEMPERATURE RANGE:**  
-55° C TO +105° C

**DIELECTRIC STRENGTH:**  
600V AC MIN.  
PER MIL-STD-1344A METHOD 3001.1

**CONTACT MATERIAL:**  
COPPER ALLOYS

**PLATING:**  
REFER TO ORDER INFORMATION

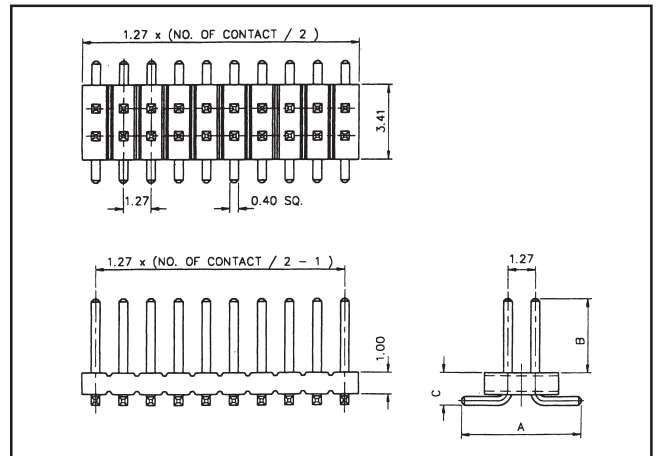
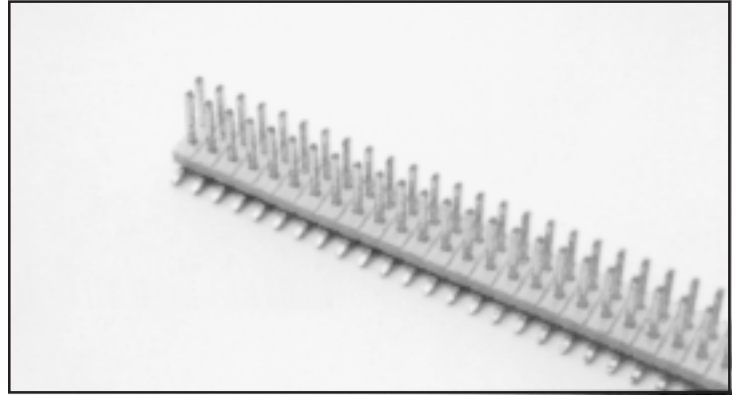
**CURRENT RATING:**  
1 A

**CONTACT RESISTANCE:**  
30 MILLIOHMS MAX.  
PER MIL-STD-1344A METHOD 3002.1

**DURABILITY:**  
50 CYCLES

**SOLDERABILITY:**  
PER MIL-STD-202F METHOD 208D

**MAXIMUM PROCESSING TEMPERATURE:**  
260° C FOR 10 SECONDS



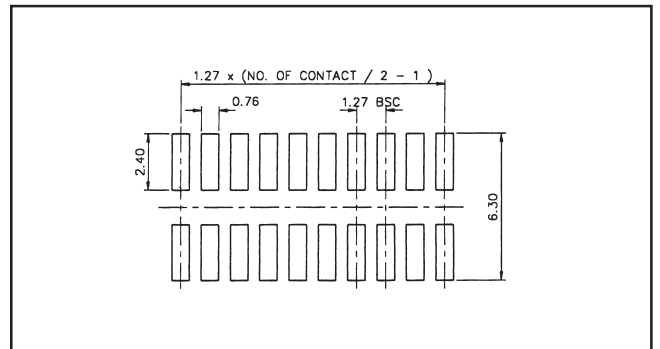
DRAWING

## ORDER INFORMATION:

**C13H D M XXX - 1 - XX - X**  
1 2 3 4 5 6 7

- 1: **SERIES** C13H SURFACE MOUNT HEADER,  
1.27mm SPACING
- 2: **CONTACT ARRANGEMENT CODE**  
D...DUAL ROW ONLY
- 3: **SOLDER TAIL**  
M...SURFACE MOUNT
- 4: **NUMBER OF CONTACTS**  
004 TO 100 CONTACTS
- 5: **INSULATOR COLOR CODE**  
1...BLACK
- 6: **DIMENSIONAL CODE NUMBER**  
SEE CHART ON THIS PAGE
- 7: **CONTACT PLATING**  
0...TIN  
6...SELECTIVE GOLD FLASH  
9...SELECTIVE 30u" GOLD

CONSULT FACTORY FOR OTHER PIN LENGTH REQUIREMENTS.



P.C.B. LAYOUT

CODE NO.	DIMENSION (mm)		
	A	B	C
01	5.50	3.00	1.68
02	5.50	3.00	2.68
03	5.50	3.00	3.58
04	5.50	3.00	2.00

DIMENSION INFORMATION