

2.54mm HEADER FEMALE

Distributed by Electro-Stock, Inc. sales@electrostock.com
630-682-1542 Fax 630-682-1562 http://www.electrostock.com

- SIDE ENTRY
- SINGLE ROW
- DOUBLE ROW

SPECIFICATION:

INSULATOR MATERIAL:
GLASS FILLED THERMOPLASTIC
POLYESTER

FLAMMABILITY RATING:
UL 94V-0

INSULATION RESISTANCE:
1000 MEGOHMS MIN. AT 500V DC

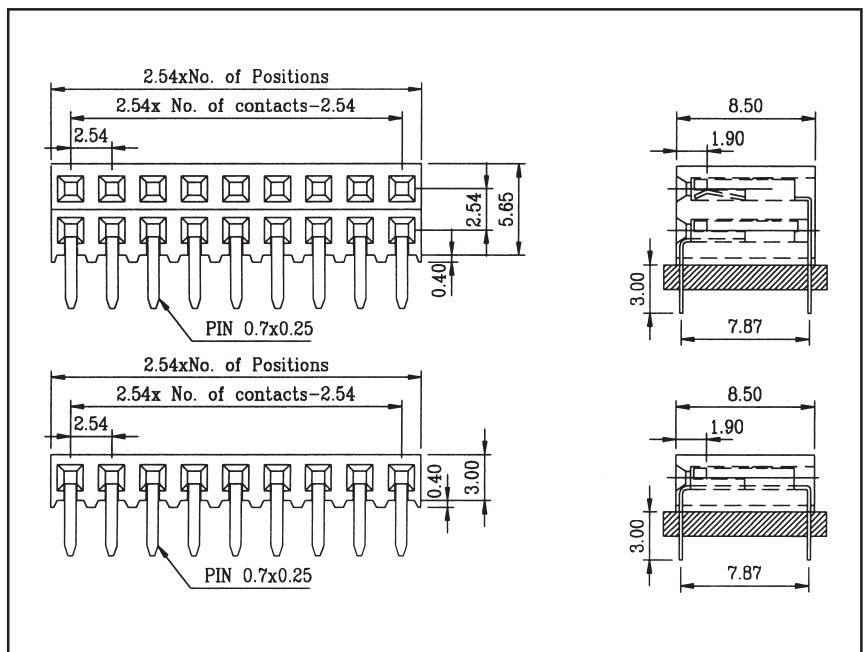
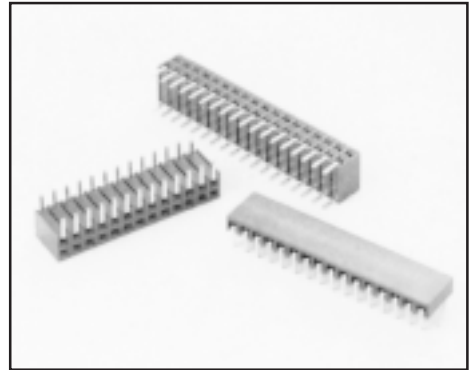
OPERATING TEMPERATURE RANGE:
-40° C TO +105° C

DIELECTRIC WITHSTANDING VOLTAGE:
500V AC FOR 1 MINUTE

CONTACT MATERIAL:
PHOSPHOR BRONZE

CURRENT RATING:
3 AMPS

CONTACT RESISTANCE:
20 MILLIOHMS MAX. AT 1A DC

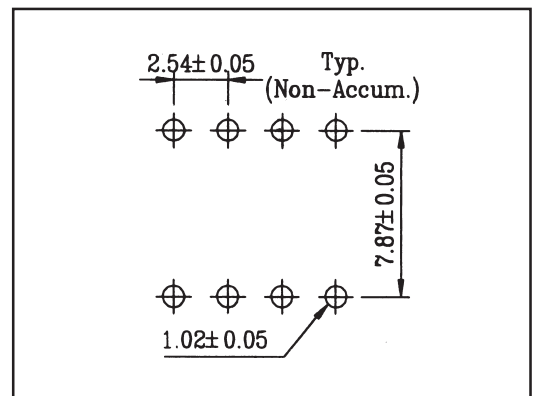


DRAWING

ORDER INFORMATION:

C626R - XX - X - X
1 2 3 4

- 1: **SERIES** C626R SIDE ENTRY RECEPTACLE,
2.54mm X 7.87mm SPACING
- 2: **NUMBER OF CONTACTS**
04 TO 40 - SINGLE ROW
08 TO 80 - DUAL ROW
- 3: **CONTACT ARRANGEMENT**
S...SINGLE ROW
D...DUAL ROW
- 4: **CONTACT PLATING**
0...TIN
6...SELECTIVE GOLD FLASH
8...SELECTIVE 15u" GOLD



P.C.B. LAYOUT