

# 1.27mm HEADER FEMALE

Distributed by Electro-Stock, Inc. sales@electrostock.com  
630-682-1542 Fax 630-682-1562 http://www.electrostock.com

- DOUBLE ROW
- DIP TYPE
- STRAIGHT (180°)
- 1.27mm X 2.54mm

## SPECIFICATION:

**INSULATOR MATERIAL:**  
GLASS FILLED THERMOPLASTIC  
POLYESTER

**FLAMMABILITY RATING:**  
UL 94V-0

**INSULATION RESISTANCE:**  
5000 MEGOHMS MIN.  
PER MIL-STD-1344A METHOD 3003.1

**OPERATING TEMPERATURE RANGE:**  
-55° C TO +105° C

**DIELECTRIC STRENGTH:**  
600V AC MIN.  
PER MIL-STD-1344A METHOD 3001.1

**CONTACT MATERIAL:**  
PHOSPHOR BRONZE

**CURRENT RATING:**  
1 A

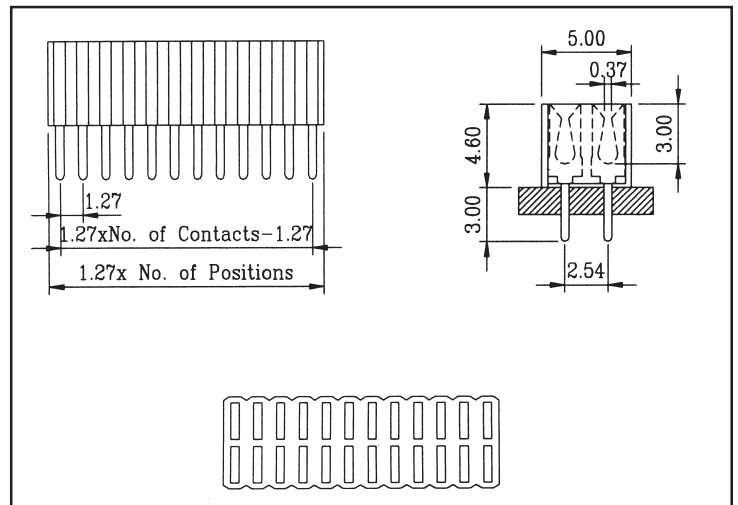
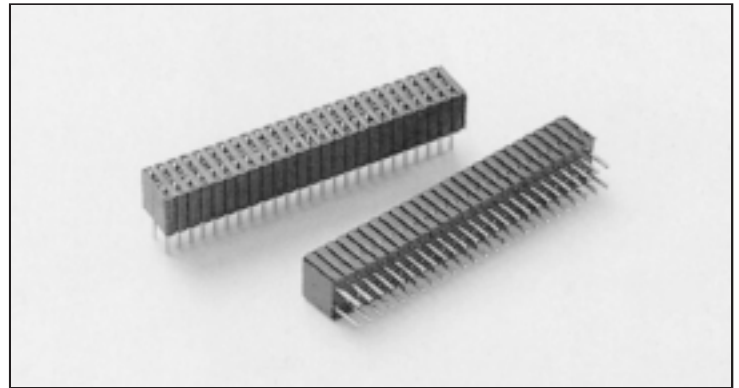
**CONTACT RESISTANCE:**  
30 MILLIOHMS MAX.  
PER MIL-STD-1344A METHOD 3002.1

**DURABILITY:**  
50 CYCLES  
PER MIL-STD-1344A METHOD 2016

**RETENTION FORCE:**  
425gm. MIN.  
PER MIL-STD-1344A METHOD 2007.1

**SOLDERABILITY:**  
PER MIL-STD-202F METHOD 208D

**TESTING VOLTAGE:**  
125V AC

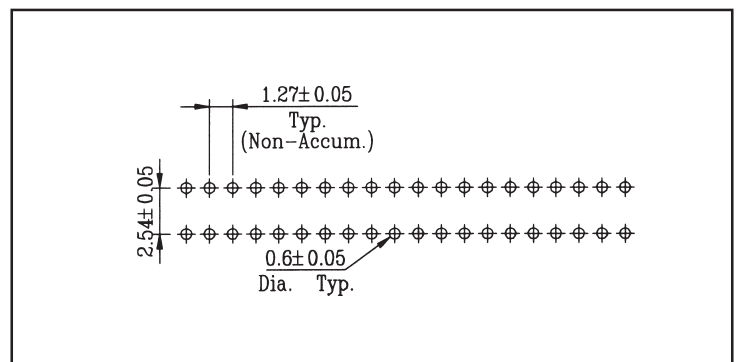


DRAWING

## ORDER INFORMATION:

**CPRC** XXX - D - X  
1 2 3 4

- 1: **SERIES** CPRC DUAL ROW, THROUGH BOARD  
RECTANGLE, 1.27mm X 2.54mm SPACING
- 2: **NUMBER OF CONTACTS**  
010 TO 100 CONTACTS
- 3: **CONTACT ARRANGEMENT CODE**  
D...DUAL ROW
- 4: **CONTACT PLATING**  
6...SELECTIVE GOLD FLASH  
8...SELECTIVE 15u" GOLD



P.C.B. LAYOUT