



# IDC SCSI III D-SUB (female)

CENTURY INTERCONNECT PRODUCTS

Distributed by Electro-Stock, Inc. sales@electrostock.com  
630-682-1542 Fax 630-682-1562 http://www.electrostock.com

■ Mass Termination to .025 Pitch Flat Ribbon Cable

## ORDERING INFORMATION

**C15F** **X** - **XX** - **S** - **1** - **X** - **X** - **X** - **X**  
1 2 3 4 5 6 7 8 9

1...Series C15F IDC SCSI III D-sub (female)

2...Shell

- A...All plastic
- B...Metal

3...Number of Contacts

50, 68

4...Contact Type

S...Socket

5...Color Code

1...Black

6...Mounting Types

- A...Threaded insert 2-56
- B...Threaded insert 4-40

7...Front Latch

- A...With latch
- B...Without latch

8...Strain Relief

- N...Without strain relief
- P...Plastic strain relief

9...Plating Options

- Blank...Selective gold flash
- 1...Gold flash
- 4...15μ" gold
- 5...30μ" gold

## SPECIFICATIONS

### ELECTRICAL:

**Current Rating:** 1 amp

**Contact Resistance:** 15 milliohms max.

**Insulation Resistance:** 500 megohms min.

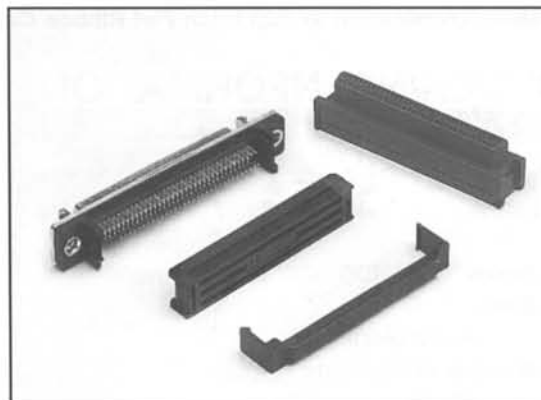
**Dielectric Withstanding:** 500V AC for one minute

**Operating Temperature:** -40 degrees C to +105 degrees C

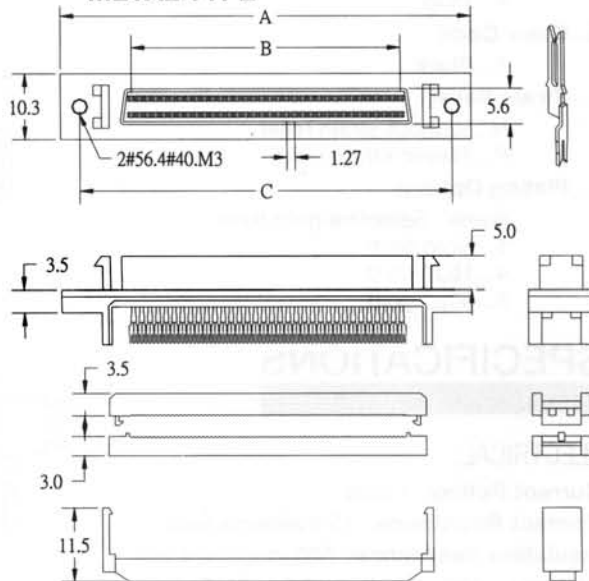
### MECHANICAL:

**Contact Material:** Phosphor bronze

**Insulator Material:** PBT, UL94V-0



### METAL TYPE



Position	A	B	C
50	52.60	30.48	46.50
68	64.03	41.91	57.93

### PLASTIC TYPE

