



MODULAR JACKS, PCB MOUNT

Distributed by Electro-Stock, Inc. sales@electrostock.com 630-682-1542 Fax 630-682-1562
http://www.electrostock.com

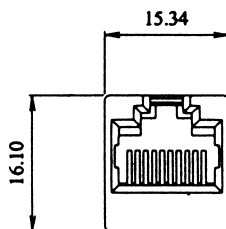
C012-9 TOP ENTRY

STANDARD COLOR: BLACK

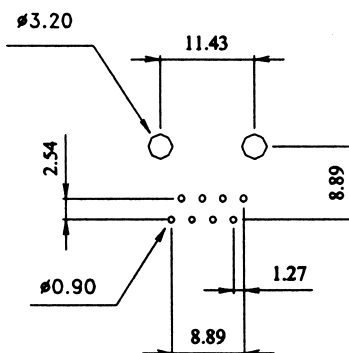
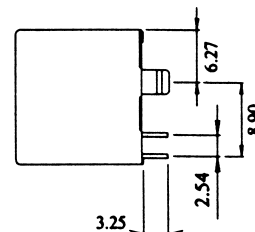
ORDERING INFORMATION

C012-9 - F - X
1 2 3

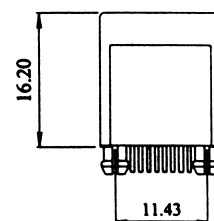
- 1...Series C012-9 top entry modular jack, 8 position
- 2...Number of Positions / Number of Contacts
F...8P8C
- 3...Gold Contact Plating
1...15u" 3...50u"
2...30u" 4...6u"



8 POSITION



PCB LAYOUT



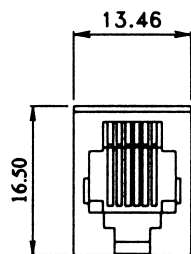
C013 TOP ENTRY

STANDARD COLOR: BLACK

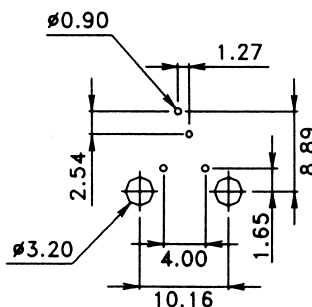
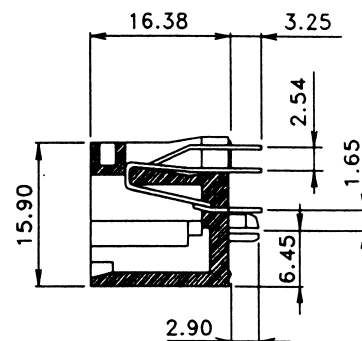
ORDERING INFORMATION

C013 - B - X
1 2 3

- 1...Series C013 top entry modular jack with 2 contacts only
- 2...Number of Positions / Number of Contacts
B...6P2C
- 3...Gold Contact Plating
1...15u" 3...50u"
2...30u" 4...6u"



6 POSITION



PCB LAYOUT

