



CHIP CARRIER SOCKETS, SURFACE MOUNT

CENTURY INTERCONNECT PRODUCTS

Distributed by Electro-Stock, Inc. sales@electrostock.com
630-682-1542 Fax 630-682-1562 http://www.electrostock.com

ORDERING INFORMATION

CCSA XX T X - XX
1 2 3 4 5

1...Series CCSA PLCC chip carrier sockets, surface mount

2...Number of Contacts

20, 28, 32, 44, 52, 68, 84

3...Contact Finish

T...Tin

4...Locating Post Option

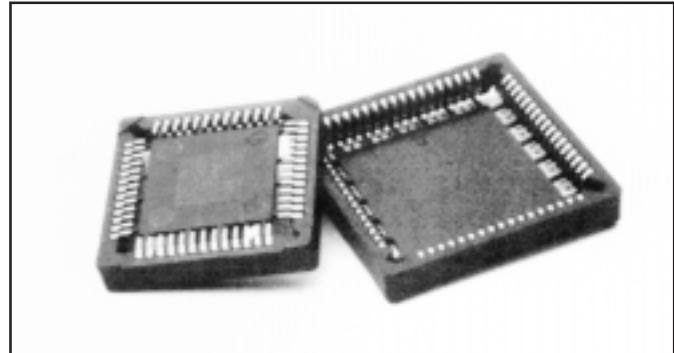
P...with locating posts

Blank...without locating posts

5...Packaging Options

Blank...supplied in tubes

TR...supplied on tape and reel, without locating posts



SPECIFICATIONS

MECHANICAL:

Insulator Material: PPS

Flammability Rating: UL94V-0

Color: Brown

Contact Material: Phosphor bronze

Contact Plating: Tin over nickel

Maximum Processing Temperature:

260 degrees C for 10 seconds

Operating Temperature Range: -55 degrees C to +105 degrees C

Durability: 50 cycles per MIL-STD-1344A, Method 2016

Vibration: per MIL-STD-1344A, Method 2005.1, Test Condition II

Solderability: per MIL-STD-202F, Method 208D

ELECTRICAL:

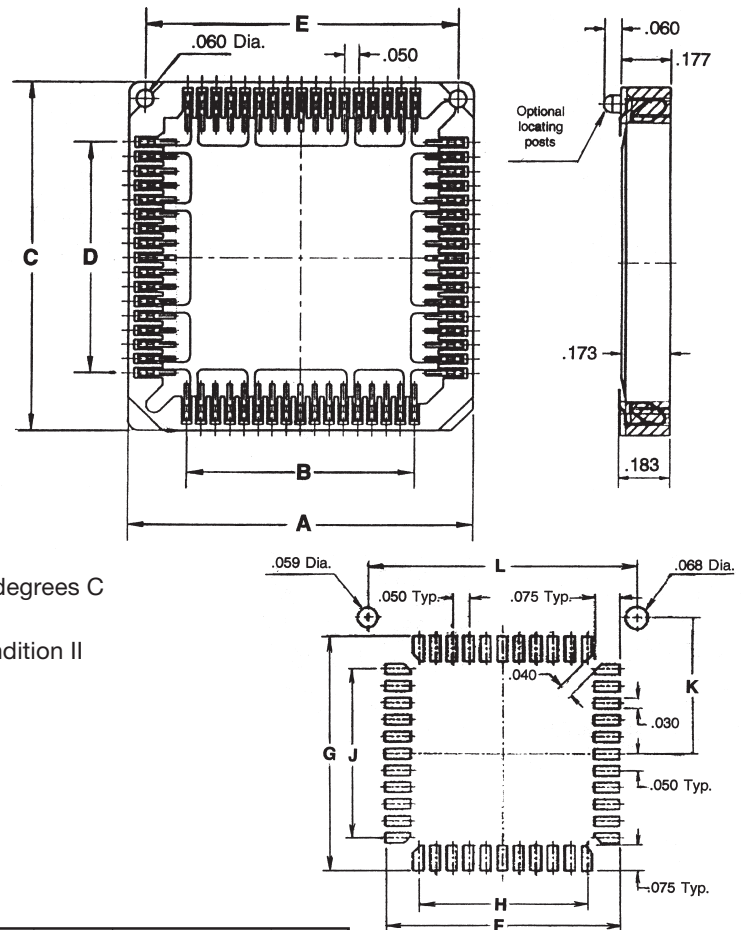
Current Rating: 1 amp

Contact Resistance: 15 milliohms maximum

Capacitance: 1.0 picofarad maximum at 1000Hz

Insulation Resistance: 10,000 megohms minimum

Dielectric Withstanding Voltage: 1000V AC



PCB LAYOUT

NO. OF CONTACTS	A ±.008	B ±.008	C ±.008	D ±.008	E ±.008	F	G	H	J	K	L
20	.617	.200	.617	.200	.500	.395	.395	.200	.200	.250	.500
28	.717	.300	.717	.300	.600	.495	.495	.300	.300	.300	.600
32	.817	.400	.717	.300	.700	.595	.495	.400	.300	.300	.700
44	.917	.500	.917	.500	.800	.695	.695	.500	.500	.400	.800
52	1.017	.600	1.017	.600	.900	.795	.795	.600	.600	.450	.900
68	1.217	.800	1.217	.800	1.100	.995	.995	.800	.80	.550	1.100
84	1.417	1.000	1.417	1.000	1.300	1.195	1.195	1.000	1.000	.650	1.300

Consult factory for low profile version.