



CHIP CARRIER SOCKET, SURFACE MOUNT

VERY LOW PROFILE

CENTURY INTERCONNECT PRODUCTS Distributed by Electro-Stock, Inc. sales@electrostock.com
630-682-1542 Fax 630-682-1562 http://www.electrostock.com

SPECIFICATIONS

MECHANICAL:

Insulator Material: PPS, brown color,
UL94V-0

Contact Material: Phosphor bronze,
JIS 5210

Contact Plating: 150 μ " tin over 40 μ " nickel

ELECTRICAL:

Current Rating: 1 amp

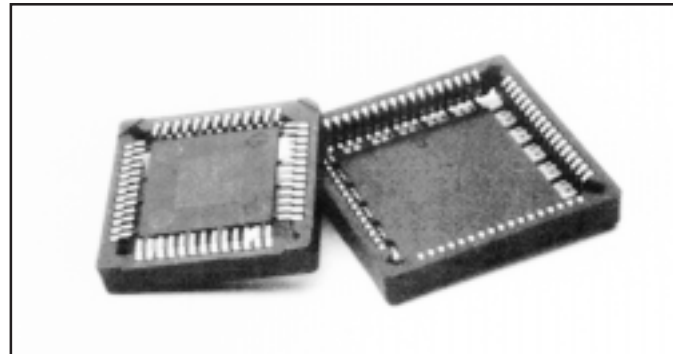
Capacitance: 1.0 picofarads max.

Contact Resistance: 30 milliohms maximum.

Insulation Resistance: 1000 milliohms max.

Dielectric Withstanding Voltage: 600V AC min.

Temperature Rating: -50 degrees C
to +105 degrees C



ORDERING INFORMATION

CCSA 32 I VLP

1 2 3 4

1...Series CCSA surface mount chip carrier socket, very low profile

2...Number of Contacts

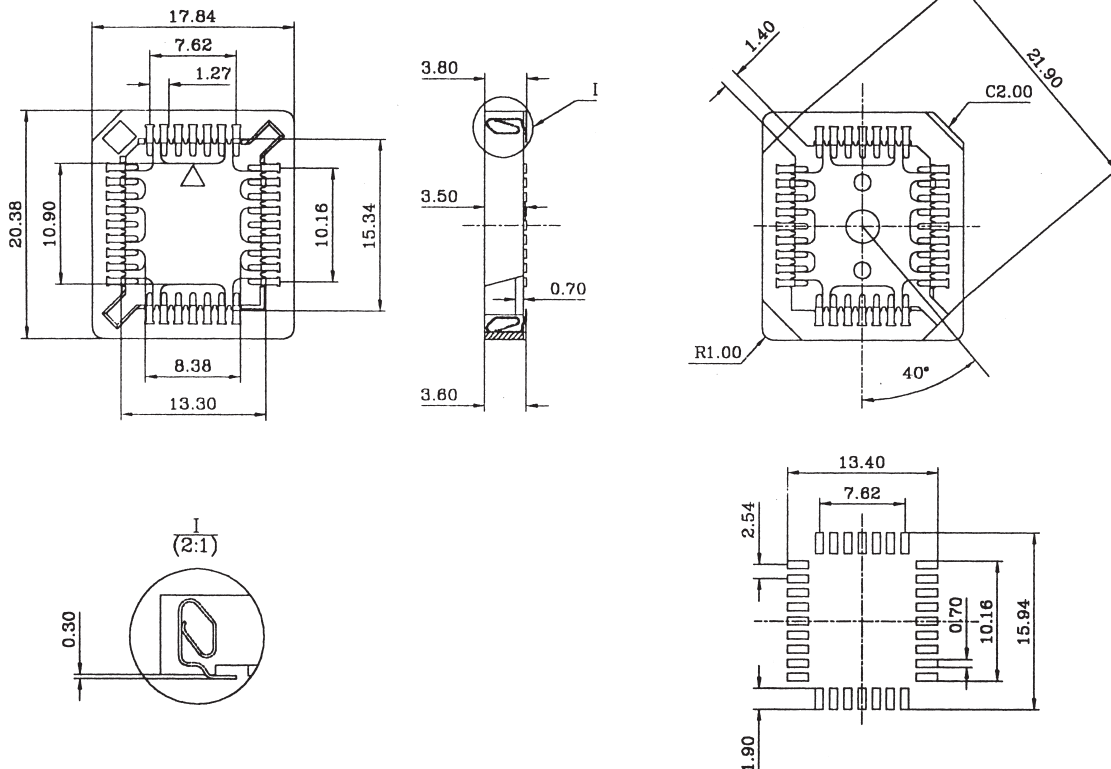
32...32 positions only

3...Contact Plating

T...150 μ " tin over 40 μ " nickel

4...Socket Style

VLP...Very low profile



PCB LAYOUT