



SIMM SOCKETS, LOW PROFILE MOUNT

SINGLE ROW, 72 POSITIONS

CENTURY INTERCONNECT PRODUCTS

Distributed by Electro-Stock, Inc. sales@electrostock.com
630-682-1542 Fax 630-682-1562 http://www.electrostock.com

SPECIFICATIONS

- Insulator Material:** LCP, UL94V-0
- Contact Material:** Bronze
- Contact Plating:** Tin over nickel
- Current Rating:** 1 amp
- Contact Resistance:** 30 milliohms max.
- Insulation Resistance:** 1000 megohms at 500V DC
- Dielectric Strength:**
 - 1.27mm pitch – 1000V AC RMS
 - 2.54mm pitch – 1500V AC RMS
- Capacitance:** 1 pf. max.
- Vibration:** MIL-STD-1344A
- Durability:** 30 cycles
- Insertion Force:** 0 g
- Withdrawal Force:** 0 g
- Contact Force (Normal):** 150 g min.
- Contact Retention Force:** 2 lbs per circuit min.
- Operating and Storage Temperature Range:** -40 degrees C to +100 degrees C
- Humidity:** MIL-STD-202, Method 106D, 10 days
- Thermal Shock:** 5 cycles, -40 degrees C to +85 degrees C per MIL-STD-202, Method 107E
- Contact Plating:** Tin over nickel
- Recommended Industry Standard Modules:** 1.19mm (0.47") to 1.37mm (0.54") thickness

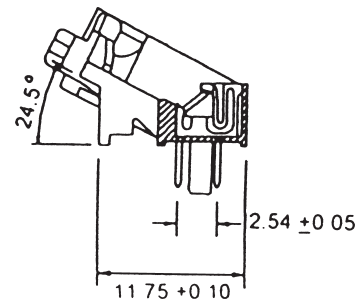
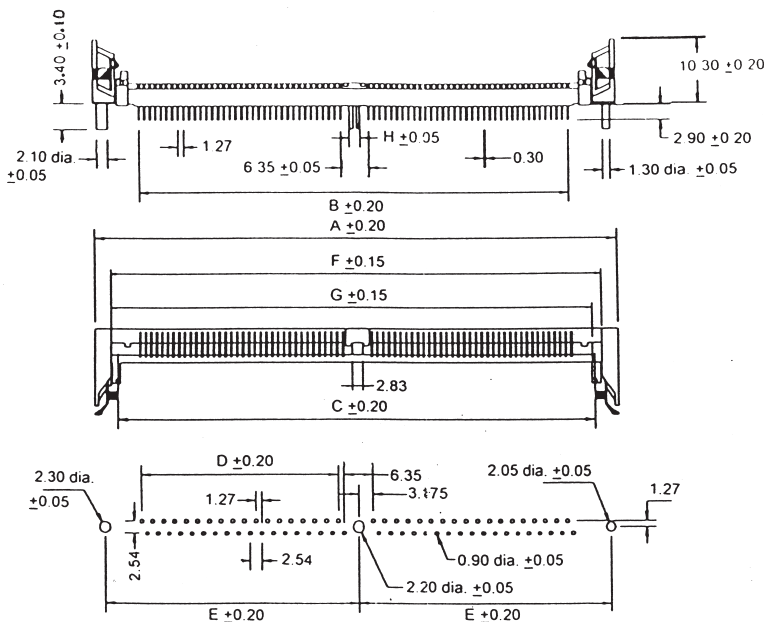


ORDERING INFORMATION

CSM72 - C - T - P

1 2 3 4

- 1...Series** CSM72 SIMM sockets with metal latches
- 2...Profile Type**
 - C...Low profile mount, single row
- 3...Contact Finish**
 - T...Tin
- 4...Center Post**
 - P...With center post



PCB LAYOUT

CONTACT	A	B	C	D	E	F	G	H
72P	115.70	95.50	101.46	43.18	55.90	103.35	106.30	2.45 DIA.