



IEEE 1394 SERIES CONNECTOR

THROUGH BOARD, VERTICAL MOUNT

CENTURY INTERCONNECT PRODUCTS

Distributed by Electro-Stock, Inc. sales@electrostock.com
630-682-1542 Fax 630-682-1562 http://www.electrostock.com

ORDERING INFORMATION

C1394 - TV - 06 - 30

1 2 3 4

- 1...Series C1394 IEEE firewire connector
- 2...Connector Mounting Type
TV...Through board, vertical mount
- 3...Number of Contacts
06...6 contacts
- 4...Contact Plating
30...30μ" Selective gold plating

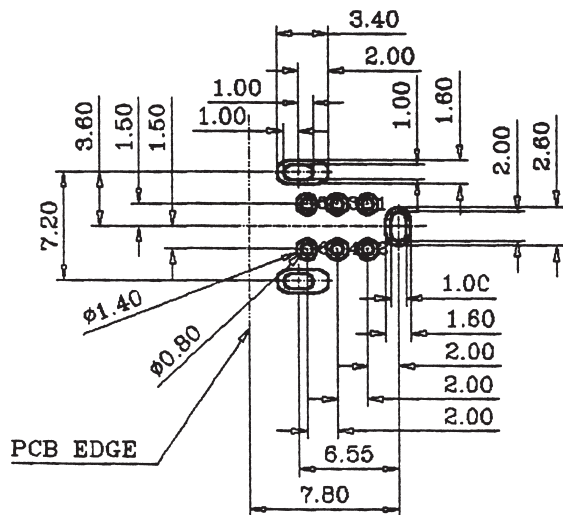
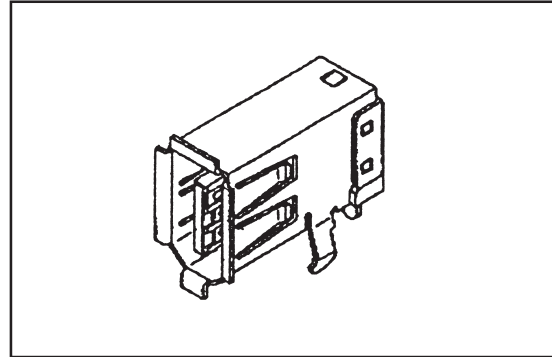
SPECIFICATIONS

ELECTRICAL:

- Voltage Rating:** 30V AC (rms)
- Current Rating:** 1 amp per contact
- Dielectric Withstanding Voltage:** 500V AC for one minute
- Insulation Resistance:** 100 megohms min. at 500V DC
- Contact Resistance:** 30 milliohms max.

MECHANICAL:

- Shell Material:** Copper alloy or steel
- Shell Plating:** 100μ" min. SN over 40μ" nickel
- Housing Material:** PBT, UL94V-0 rated
- Contact Material:** Copper alloy
- Contact Plating:** 1μ" AU and 100μ" SN over 30μ" nickel



P.C.B. LAYOUT

