



USB CONNECTOR – SINGLE PORT

CENTURY INTERCONNECT PRODUCTS

Distributed by Electro-Stock, Inc. sales@electrostock.com
630-682-1542 Fax 630-682-1562 http://www.electrostock.com

ORDERING INFORMATION

USB - 04 - S - X - T - X
1 2 3 4 5 6

- 1...Series USB sockets, single port
- 2...Number of Contacts
 - 04...4 contacts, single port socket
- 3...Housing and Contact Type
 - S...Single port socket
- 4...Plating Options
 - 5...5μ" selective gold plating (standard)
 - 9...30μ" selective gold plating
- 5...Contact Style
 - T...Through board
- 6...Insulator Color
 - B...Black
 - W...White

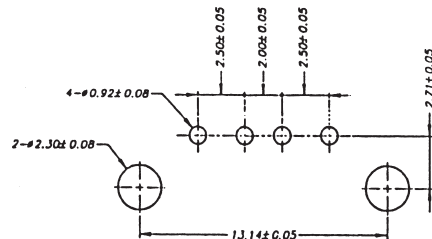
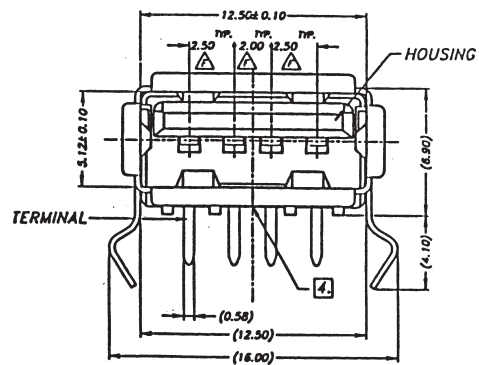
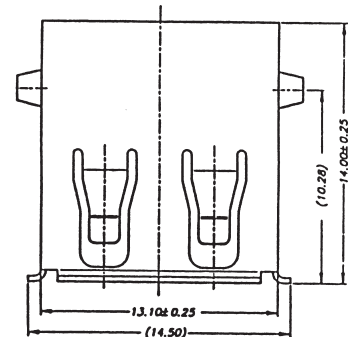
SPECIFICATIONS

ELECTRICAL:

- Current Rating:** 1 amp max. per contact, not to exceed 30 degrees C temperature rise
- Contact Resistance:** 30 milliohms max.
- Insulation Resistance:** 1000 megohms min.
- Dielectric Withstanding Voltage:** 750V AC at sea level
- Operating Temperature Range:**
 - 40 degrees C to +60 degrees C (storage)
 - 0 degrees C to +40 degrees C (operating)
- Operating Voltage:** 30V AC (rms)
- Durability:** >1500 cycles
- Mating Force:** 35 newtons max.
- Unmating Force:** 10 newtons min.

MECHANICAL:

- Insulator Material:** Thermoplastic, glass fiber-filled, white color (surface mount socket has high temperature thermoplastic, glass fiber-filled, white color). UL94V-0 rated.
- Shell Material:** Tin/lead plated copper alloy
- Contact Material:** Copper alloy
- Contact Plating:** Selective gold on mating end, tin lead on termination end, nickel underplating



PCB LAYOUT

