

6

5

4

3

2

1

### MATERIAL AND FINISH

Front flange: Glass filled Polyester, black,  
UL-94V-0 rated

Body: (B11/1) Polyester, black, UL-94-V-0 rated  
(B12/1, B13/1) Polystyrene, black,  
UL-94-HB rated

Cap: Glass filled Nylon, UL-94V-0 rated

Contact: Brass, Nickel plated

End plate: S.R.B.F

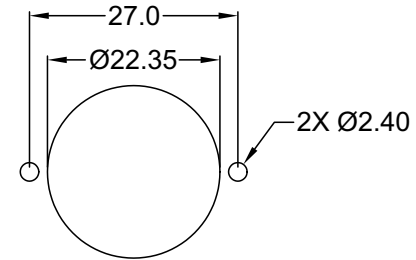
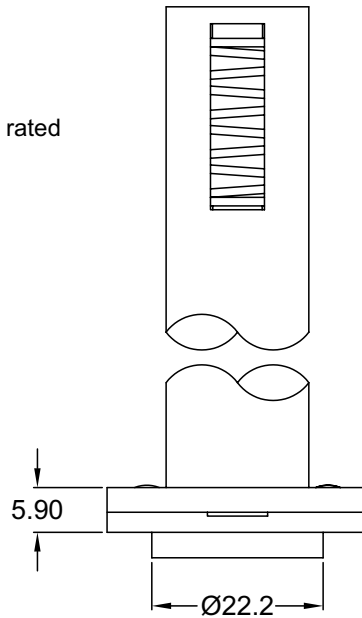
End plate support: Steel, Nickel plated

Spring: Spring Steel

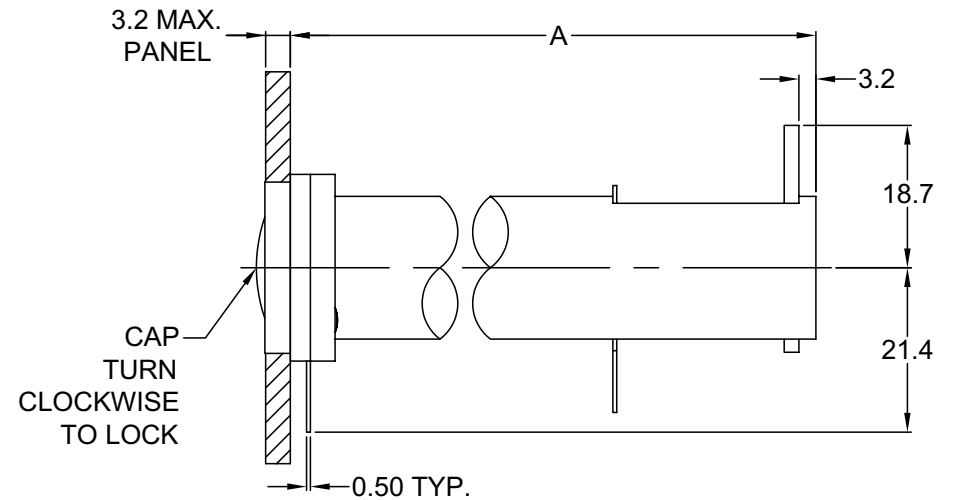
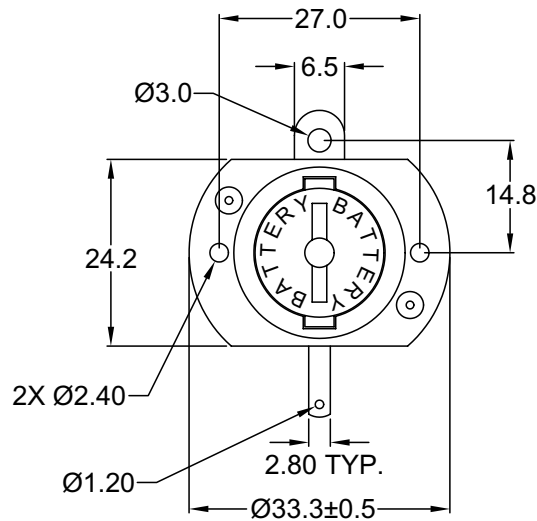
### ENVIROMENTAL

Operating temperature: -30°C to +70°C

Distributed by Electro-Stock, Inc. sales@electrostock.com  
630-682-1542 Fax 630-682-1562 http://www.electrostock.com



RECOMMENDED  
PANEL CUTOUT



| REV | DATE     | CHANGE              | REVISIONS |     |      |    |
|-----|----------|---------------------|-----------|-----|------|----|
|     |          |                     | CHNG      | CHK | APPR |    |
| A   | 10/99    | ADD INSIDE ØDIM     | TD        |     |      | SS |
| B   | 11/13/00 | UPDATED MAT'L SPEC. | TD        | JJ  | TD   | SS |
| C   | 03/06/02 | REVISED / UPDATED   | GQ        | TD  | PB   |    |

| P/N             | A     |
|-----------------|-------|
| B11/1 (1 CELL)  | 68.2  |
| B12/1 (2 CELLS) | 118.6 |
| B13/1 (3 CELLS) | 169.5 |

| TOLERANCE<br>UNLESS OTHERWISE SPECIFIED |        |
|---|--------|
| X                                       | ± 1    |
| X.X                                     | ± 0.4  |
| X.XX                                    | ± 0.20 |

|          |    |       |          |
|----------|----|-------|----------|
| DRAWN BY | TD | DATE: | 08/23/99 |
| CHECK BY | JJ | DATE: | 10/18/99 |
| APPR BY  | SS | DATE: | 10/18/99 |

**Power Dynamics, Inc.**

Phone: 973 560-0019 Whippany, New Jersey Fax: 973 560-0076

PART: AA (R6) BATTERY HOLDER,  
PANEL MOUNT

PART #: **B1X/1**

SIZE: A  
SCALE: NTS

ALL DIMENSIONS FOR REFERENCE ONLY  
DIMENSIONS ARE IN MILLIMETERS

SHEET  
1 of 1

REV: C

6

5

4

3

2

1