

**MATERIAL AND FINISH**

Insulator: Impact resistance Polypropylene, black,  
UL-94V-HB rated

Contact & terminals:

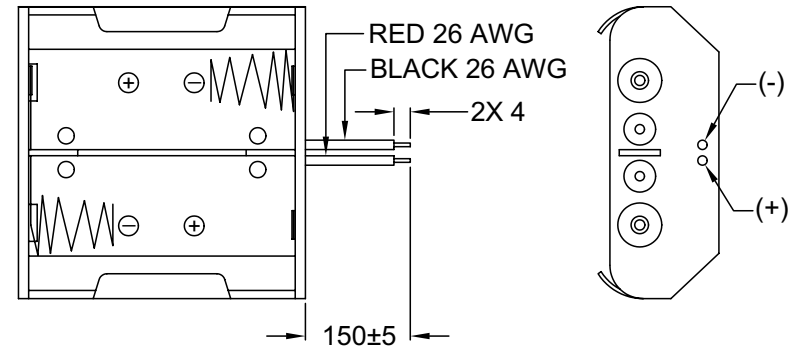
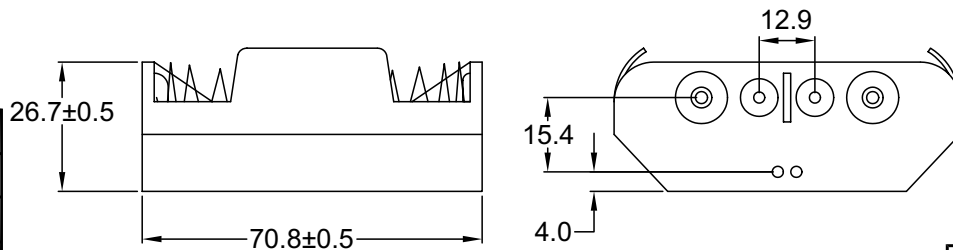
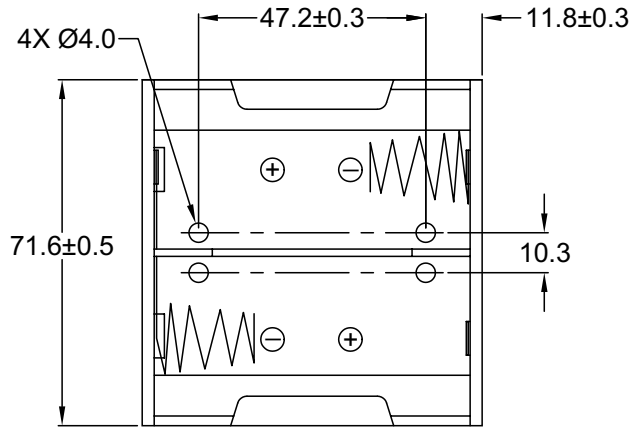
PDSN-12-1B: Brass, Nickel plated

PDSN-12-1C: Brass, Nickel plated

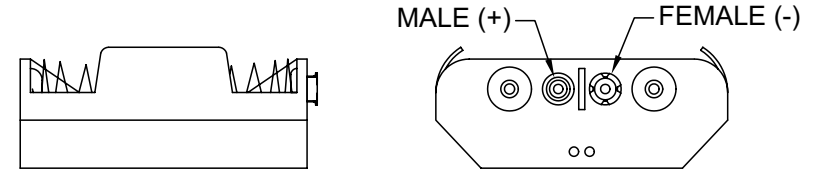
Spring: Spring Steel, Nickel plated imbedded in  
Polypropylene

**ENVIRONMENTAL:**

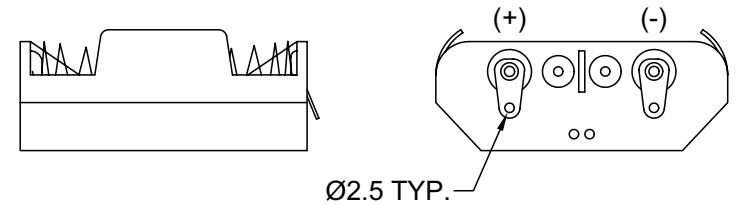
Operating temperature: -5°C to +83°C



PDSN-12-1A WIRE LEADS



PDSN-12-1B SNAP TERMINAL



PDSN-12-1C SOLDER LUG

REVISIONS	CHANGE	CHNG CHECK	APPR
	ADDED DIMENSIONS	GQ	PB
	DATE	03/19/02	
REV	A		

Distributed by Electro-Stock, Inc. sales@electrostock.com  
630-682-1542 Fax 630-682-1562 http://www.electrostock.com

TOLERANCE  
UNLESS OTHERWISE SPECIFIED

X ± 1  
X.X ± 0.4  
X.XX ± 0.20

**Power Dynamics, Inc.**

Phone: 973 560-0019 Whippany, New Jersey Fax: 973 560-0076

PART: 2 CELL TYPE "D" BATTERY HOLDER

DRAWN BY	GQ	DATE:	03/12/02
CHECK BY	TD	DATE:	03/14/02
APPR BY	PB	DATE:	03/14/02

PART #: PDSN-12-1X

SHEET  
1 of 1

SIZE: A  
SCALE: NTS

ALL DIMENSIONS FOR REFERENCE ONLY  
DIMENSIONS ARE IN MILLIMETERS

REV: A