

6

5

4

3

2

1

MATERIAL AND FINISH

Insulator: Impact resistance Polypropylene, black, UL-94V-HB rated

PDSN-18-2A (wire leads): PVC, 26 AWG

Contact & terminals:

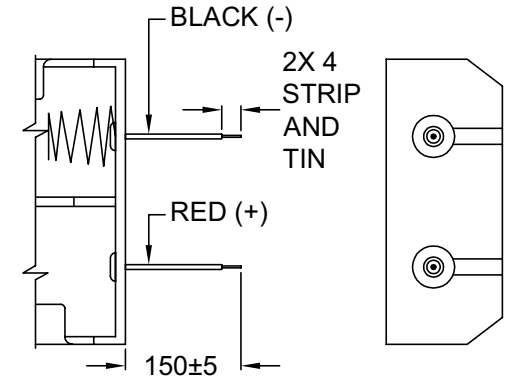
PDSN-18-2B: Brass, Nickel plated

PDSN-18-2C: Brass, Nickel plated

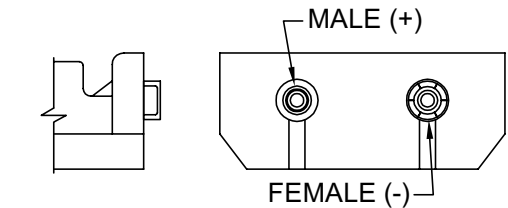
Spring: Spring Steel, Nickel plated imbedded in Polypropylene

ENVIRONMENTAL:

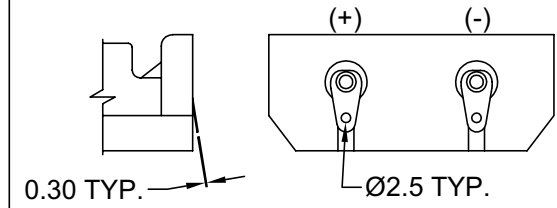
Operating temperature: -5°C to +83°C



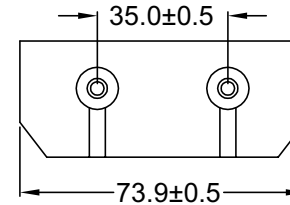
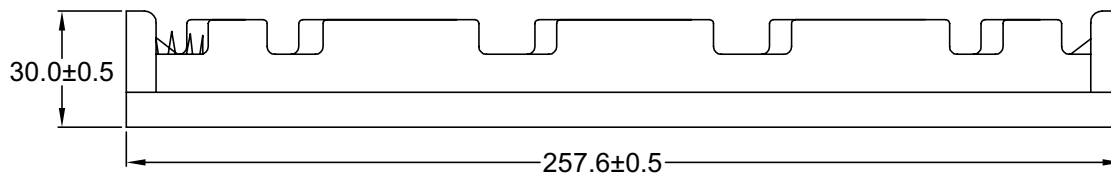
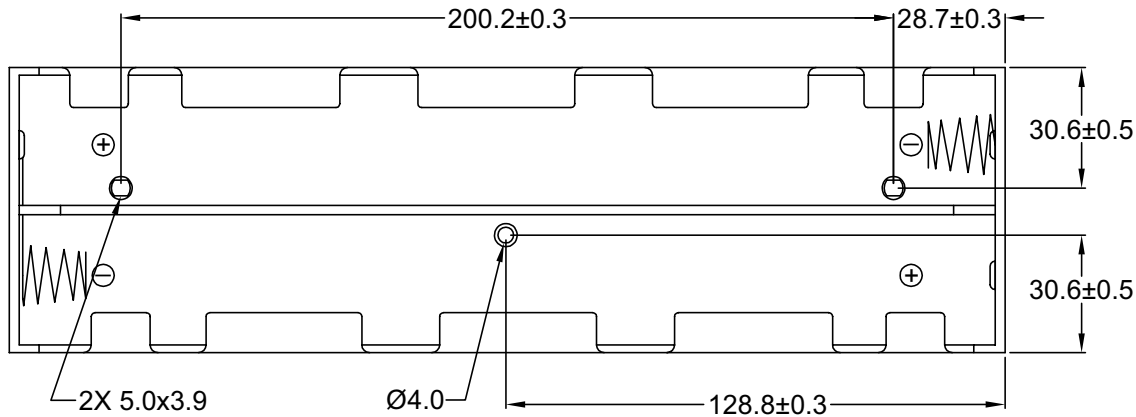
PDSN-18-2A WIRE LEADS



PDSN-18-2B SNAP TERMINAL



PDSN-18-2C SOLDER LUGS



Distributed by Electro-Stock, Inc. sales@electrostock.com
 630-682-1542 Fax 630-682-1562 http://www.electrostock.com

TOLERANCE
 UNLESS OTHERWISE SPECIFIED

X ± 1
 X.X ± 0.4
 X.XX ± 0.20

Power Dynamics, Inc.

Phone: 973 560-0019 Whippany, New Jersey Fax: 973 560-0076

PART: 8 CELL TYPE "D" BATTERY HOLDER

DRAWN BY	GQ	DATE:	06/04/02
CHECK BY	TD	DATE:	06/04/02
APPR BY	PB	DATE:	06/04/02

PART #: PDSN-18-2X		SHEET 1 of 1
SIZE: A	ALL DIMENSIONS FOR REFERENCE ONLY	
SCALE: NTS	DIMENSIONS ARE IN MILLIMETERS	
		REV:

REVISIONS	CHNG	CHECK	APPR
	CHANGE		
REV	DATE		

6

5

4

3

2

1