

6

5

4

3

2

1

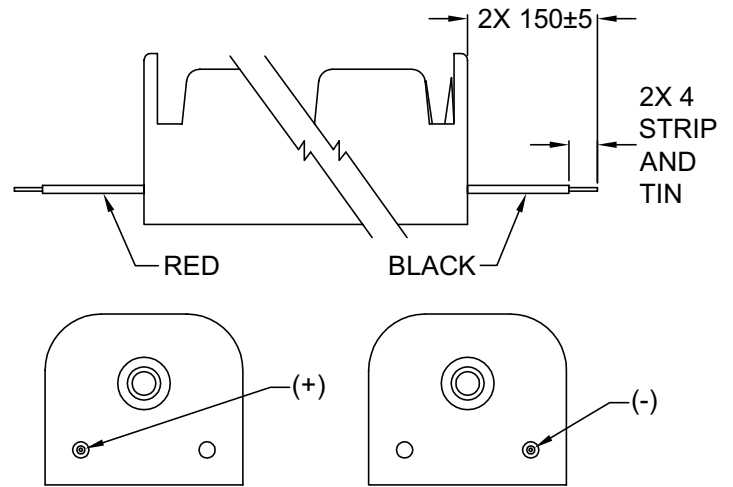
MATERIAL AND FINISH

Insulator: Impact resistance Polypropylene, black, UL-94V-HB rated
PDSN-21-1A (wire leads): PVC, 26 AWG
Contact & terminals:
PDSN-21-1C: Brass, Nickel plated

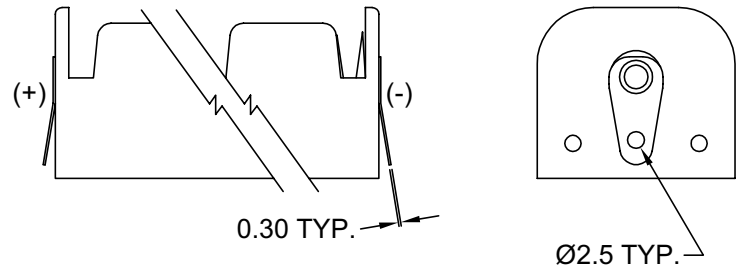
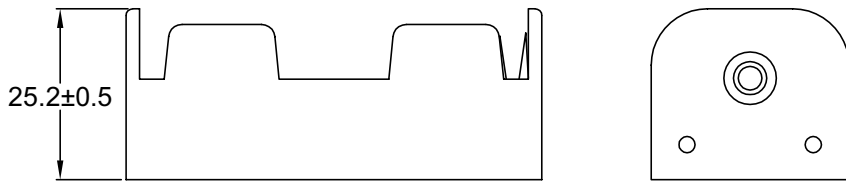
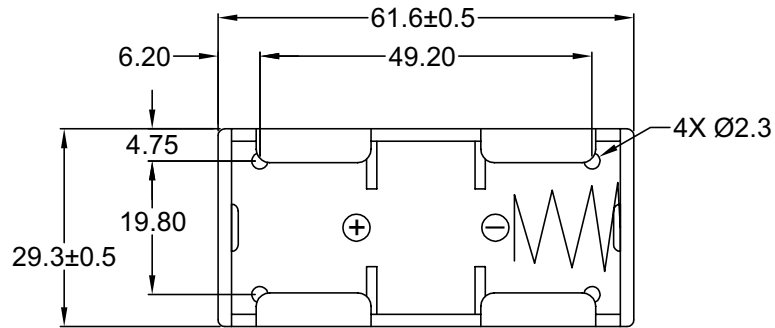
Spring: Spring Steel, Nickel plated imbedded in Polypropylene

ENVIRONMENTAL:

Operating temperature: -5°C to +83°C



PDSN-21-1A WIRE LEADS



PDSN-21-1C SOLDER LUGS

Distributed by Electro-Stock, Inc. sales@electrostock.com
630-682-1542 Fax 630-682-1562 http://www.electrostock.com

TOLERANCE UNLESS OTHERWISE SPECIFIED		
X	±	1
X.X	±	0.4
X.XX	±	0.20

Power Dynamics, Inc.
Phone: 973 560-0019 Whippany, New Jersey Fax: 973 560-0076

PART: 1 CELL TYPE "C" BATTERY HOLDER

DRAWN BY	GQ	DATE:	04/24/02
CHECK BY	TD	DATE:	05/13/02
APPR BY	PB	DATE:	05/13/02

PART #: PDSN-21-1X		SHEET 1 of 1
SIZE: A	ALL DIMENSIONS FOR REFERENCE ONLY DIMENSIONS ARE IN MILLIMETERS	REV:
SCALE: NTS		

D

C

B

A

REV	DATE	CHANGE	CHNG	CHECK	APPR

6

5

4

3

2

1