

6

5

4

3

2

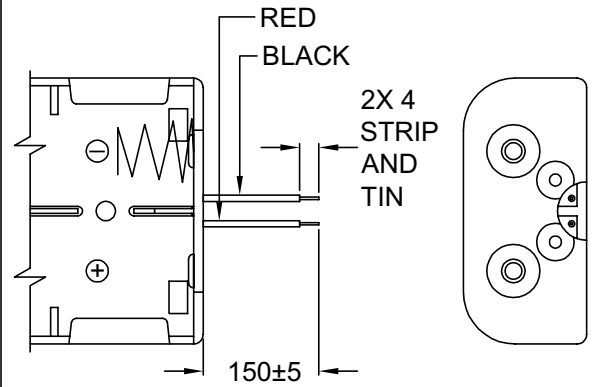
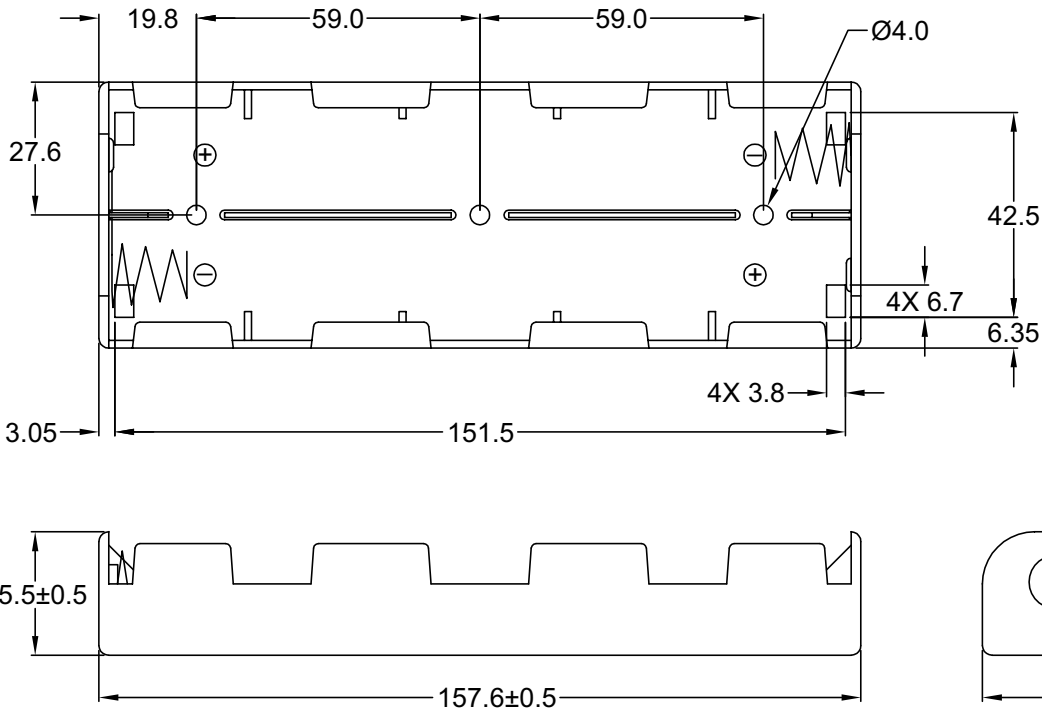
1

**MATERIAL AND FINISH**

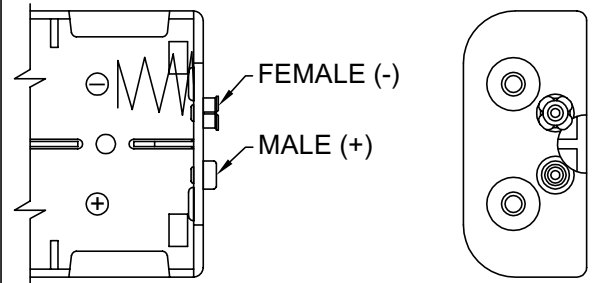
Insulator: Impact resistance Polypropylene, black,  
 UL-94V-HB rated  
 PDSN-26-1A (wire leads): PVC, 26 AWG  
 Contact & terminals:  
 PDSN-26-1B: Brass, Nickel plated  
 PDSN-26-1C: Brass, Nickel plated

Spring: Spring Steel, Nickel plated imbedded in  
 Polypropylene

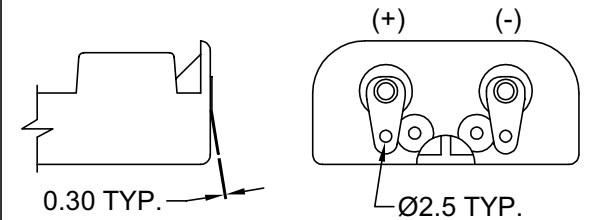
**ENVIRONMENTAL:**  
 Operating temperature: -5°C to +83°C



**PDSN-26-1A WIRE LEADS**



**PDSN-26-1B SNAP TERMINAL**



**PDSN-26-1C SOLDER LUGS**

Distributed by Electro-Stock, Inc. sales@electrostock.com  
 630-682-1542 Fax 630-682-1562 http://www.electrostock.com

**TOLERANCE**  
 UNLESS OTHERWISE SPECIFIED

X ± 1  
 X.X ± 0.4  
 X.XX ± 0.20

**Power Dynamics, Inc.**

Phone: 973 560-0019 Whippany, New Jersey Fax: 973 560-0076

**PART: 6 CELL TYPE "C" BATTERY HOLDER**

REVISIONS

REV	DATE	CHANGE	CHNG	CHECK	APPR
A	10/3/00	UPDATED DRAWING	PB	TD	JJ
B	05/17/02	REVISED / UPDATED	GQ	TD	PB

DRAWN BY	TM	DATE:	3/21/94
CHECK BY	TD	DATE:	10/3/00
APPR BY	JJ	DATE:	10/2/00

<b>PDSN-26-1X</b>		<b>SHEET</b>
PART #:		<b>1 of 1</b>
SIZE: A	ALL DIMENSIONS FOR REFERENCE ONLY	REV: B
SCALE: NTS	DIMENSIONS ARE IN MILLIMETERS	

6

5

4

3

2

1