

6

5

4

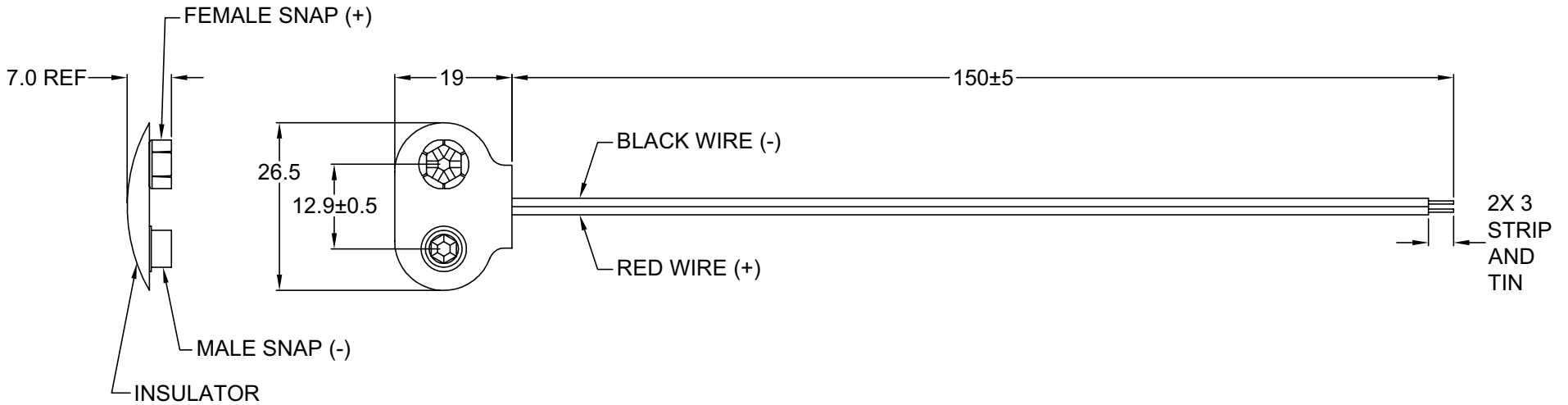
3

2

1

MATERIAL AND FINISH

Fiber board: Fiber, UL-94V-HB rated
 Insulator: PVC, black
 Wire leads: PVC, 26 AWG
 Snaps: Brass, Nickel plated



Distributed by Electro-Stock, Inc. sales@electrostock.com
 630-682-1542 Fax 630-682-1562 http://www.electrostock.com

TOLERANCE UNLESS OTHERWISE SPECIFIED		
	X	± 1
	X.X	± 0.4
	X.XX	± 0.20
DRAWN BY	GQ	DATE: 06/10/02
CHECK BY	TD	DATE: 07/23/02
APPR BY	PB	DATE: 07/23/02

Power Dynamics, Inc.
 Phone: 973 560-0019 Whippany, New Jersey Fax: 973 560-0076

PART: 9V BATTERY SNAP
 WITH PVC COVER

PART #: PDSN-4		SHEET 1 of 1
SIZE: A	ALL DIMENSIONS FOR REFERENCE ONLY DIMENSIONS ARE IN MILLIMETERS	REV:
SCALE: NTS		

REVISIONS	CHNG	CHECK	APPR
	CHANGE		
	REV	DATE	

6

5

4

3

2

1