

6

5

4

3

2

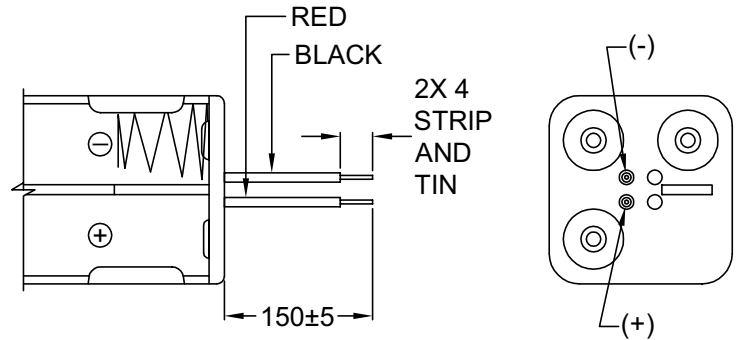
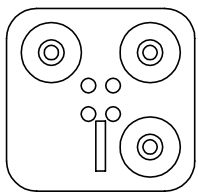
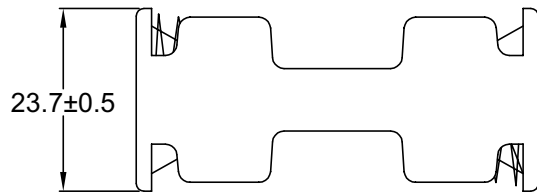
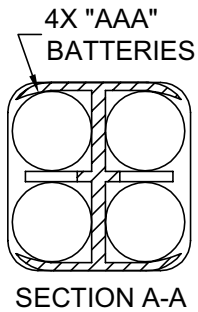
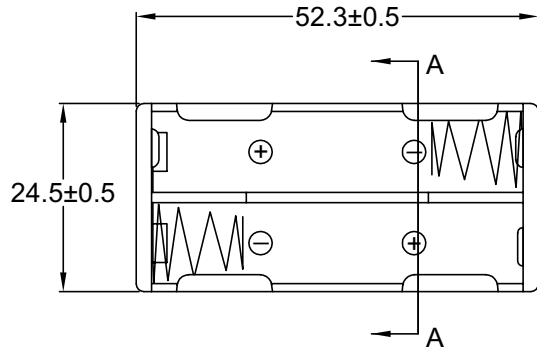
1

MATERIAL AND FINISH

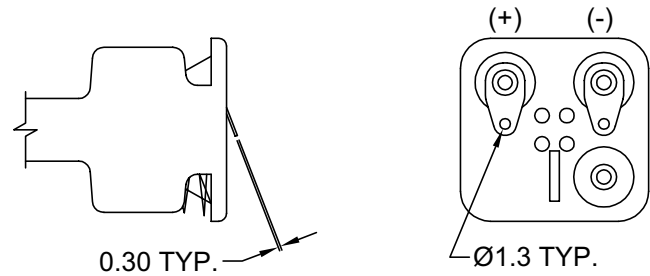
Insulator: Impact resistance Polypropylene, black,
 UL-94V-HB rated
 PDSN-44-2A (wire leads): PVC, 26 AWG
 Contact & terminals:
 PDSN-44-2C: Brass, Nickel plated

Spring: Spring Steel, Nickel plated imbedded in
 Polypropylene

ENVIRONMENTAL:
 Operating temperature: -5°C to +83°C



PDSN-44-2A WIRE LEADS



PDSN-44-2C SOLDER LUGS

Distributed by Electro-Stock, Inc. sales@electrostock.com
 630-682-1542 Fax 630-682-1562 http://www.electrostock.com

TOLERANCE UNLESS OTHERWISE SPECIFIED	
X	± 1
X.X	± 0.4
X.XX	± 0.20

Power Dynamics, Inc.
 Phone: 973 560-0019 Whippany, New Jersey Fax: 973 560-0076

PART: 4 CELL TYPE "AAA" BATTERY HOLDER
 SIDE BY SIDE

DRAWN BY	GQ	DATE:	04/23/02
CHECK BY	TD	DATE:	05/08/02
APPR BY	PB	DATE:	05/08/02

PART #: PDSN-44-2X		SHEET 1 of 1
SIZE: A	ALL DIMENSIONS FOR REFERENCE ONLY DIMENSIONS ARE IN MILLIMETERS	REV:
SCALE: NTS		

D

C

B

A

REVISIONS
 CHANGE
 CHNG
 CHECK
 APPR
 REV
 DATE

6

5

4

3

2

1