

6

5

4

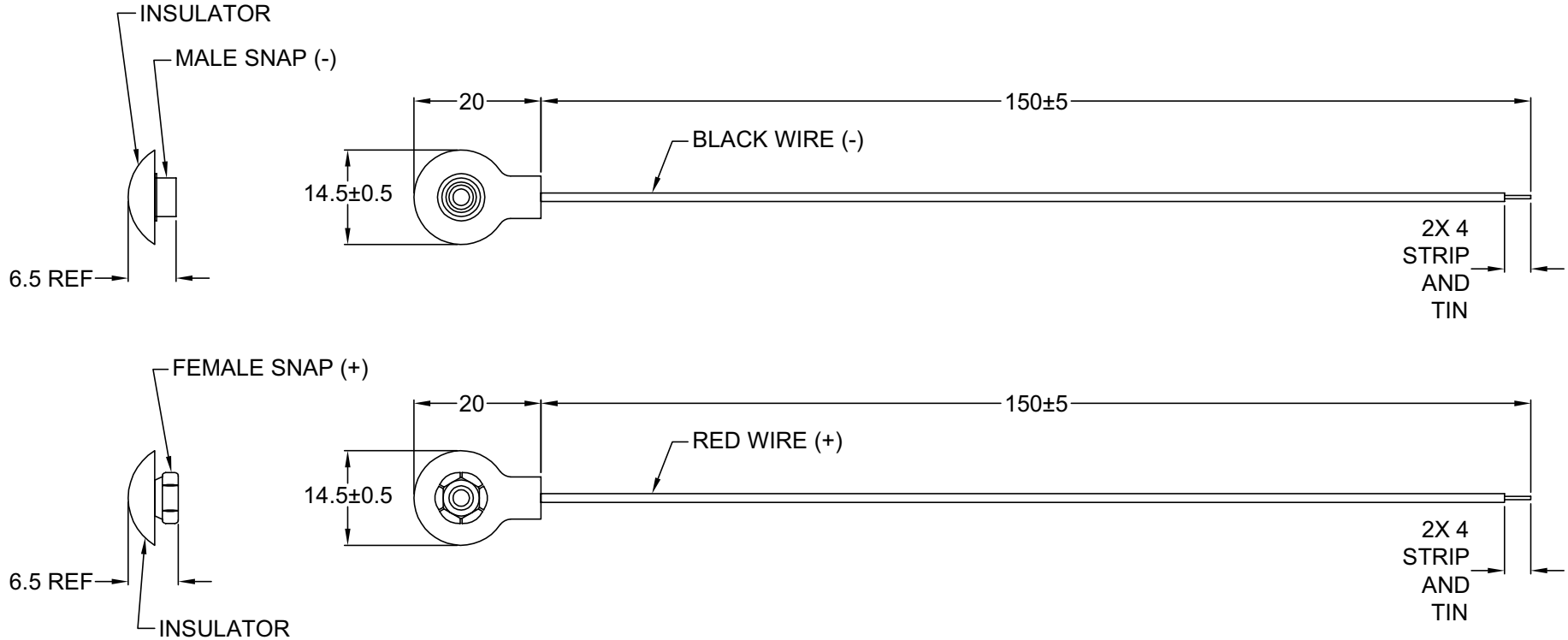
3

2

1

MATERIAL AND FINISH

Insulator: PVC, black  
Wire leads: PVC, 26 AWG  
Snaps: Brass, Nickel plated



Distributed by Electro-Stock, Inc. sales@electrostock.com  
630-682-1542 Fax 630-682-1562 http://www.electrostock.com

TOLERANCE UNLESS OTHERWISE SPECIFIED	
X	± 1
X.X	± 0.4
X.XX	± 0.20

**Power Dynamics, Inc.**  
Phone: 973 560-0019 Whippany, New Jersey Fax: 973 560-0076

PART: 9V BATTERY SNAP SET  
WITH PVC COVER

DRAWN BY	GQ	DATE:	06/11/02
CHECK BY	TD	DATE:	06/12/02
APPR BY	PB	DATE:	06/12/02

PART #: PDSN-9		SHEET 1 of 1
SIZE: A	ALL DIMENSIONS FOR REFERENCE ONLY DIMENSIONS ARE IN MILLIMETERS	
SCALE: NTS	REV:	

REVISIONS	CHNG	CHECK	APPR
	DATE	CHANGE	

6

5

4

3

2

1