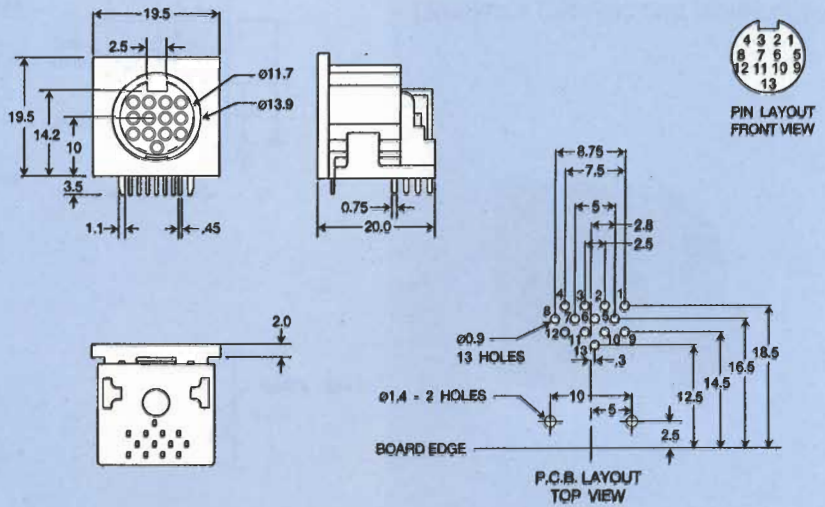
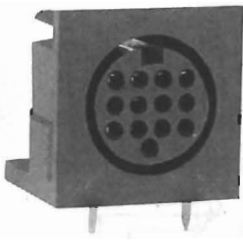
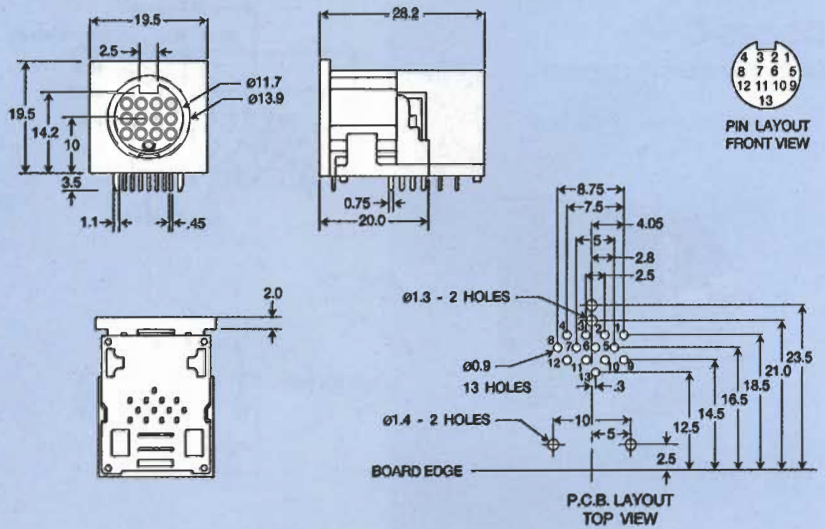
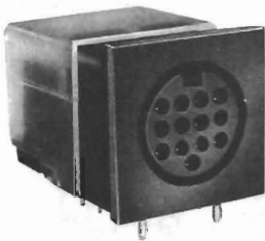


# 13 and 14 Pin Sockets

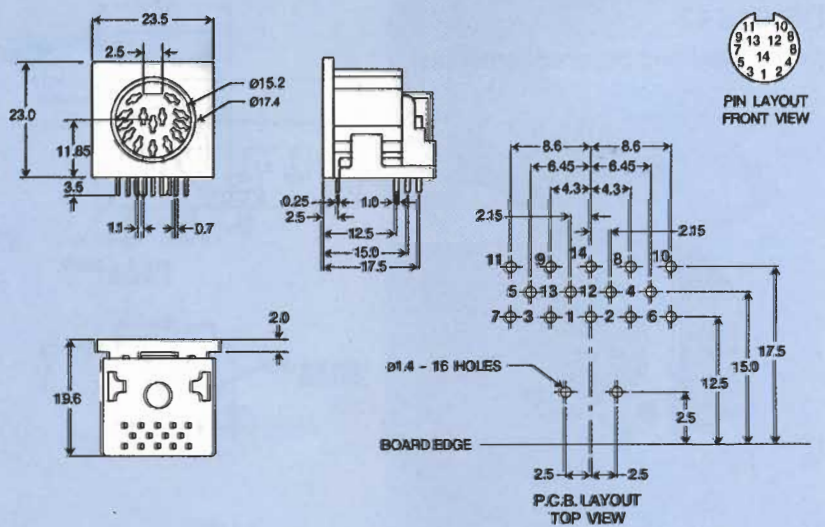
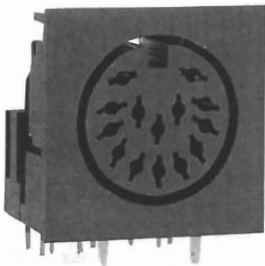
DS-101



DS-103 (with switch)



DS-102



Specifications subject to change without notice. Dimensions in mm.  
Mating plugs located on page 287.

12

DIN CONNECTORS



Distributed by Electro-Stock, Inc. sales@electrostock.com  
630-682-1542 Fax 630-682-1562 http://www.electrostock.com