

# PCSP Series CHASSIS MOUNT EMI/RFI LINE FILTER



## FEATURES

The PCSP series offers filters with compact designed chassis mount filter with current rating up to 10A, 250VAC. These filters offer common mode and differential mode attenuation over the frequency range of 100KHz to 50MHz.

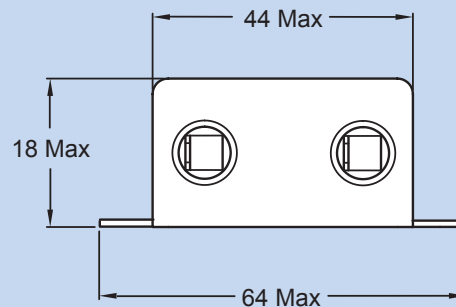
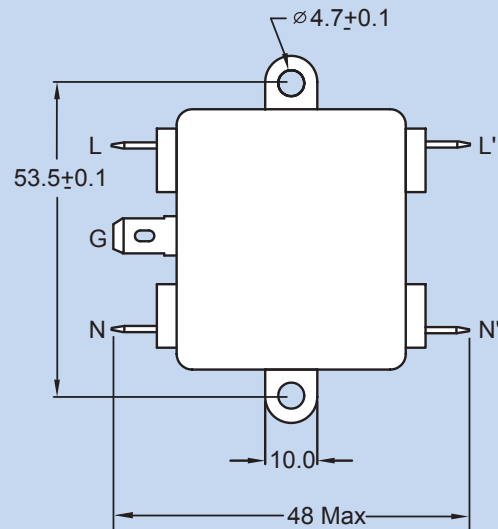
## APPLICATIONS

Computer & networking equipment, Measuring & control equipment, Data processing equipment, laboratory instruments, Switching power supplies, other electronic equipment.

## TECHNICAL DATA

- Rated Voltage: 115/250VAC
- Rated Current: 1A, 3A, 6A, 10A
- Power Line Frequency: 50/60Hz
- Max. Leakage Current each  
Line to Ground:
  - @ 115VAC 60Hz: <0.8mA
  - @ 250VAC 50Hz: <0.8mA
- Hipot Rating (one minute)
  - Line to Ground: 2250VDC
  - Line to Line: 1450VDC
- Temperature Range: -25C to +85C

## MECHANICAL DIMENSIONS (Unit: mm)



Specifications subject to change without notice. Dimensions (mm).

# PCSP Series Ordering Code

PDI P/N	Current Rating	Capacitor C(x)	Capacitor C(y)	Inductance (L)
PCSP-01	1A	0.1 $\mu$ F	3300pF	3.7mH
PCSP-03	3A	0.1 $\mu$ F	3300pF	1.8mH
PCSP-06	6A	0.1 $\mu$ F	3300pF	0.7mH
PCSP-10	10A	0.1 $\mu$ F	3300pF	0.3mH

## PCSP Series Attenuation Tables

### Non-Medical Applications

Insertion loss in dB (50 Ohm circuit)

Current Rating	Comm. Mode(L-G) MHz							Diff. mode(L-L) MHz						
	.01	.15	.5	1	5	10	30	.01	.15	.5	1	5	10	30
1A	39	43	52	48	42	45	30	18	19	30	41	48	50	38
3A	39	44	46	49	50	53	40	17	18	29	32	54	54	50
6A	19	23	30	33	48	57	43	12	16	27	31	49	58	45
10A	18	19	24	29	46	52	52	12	16	25	29	56	71	51

### SCHEMATIC

