




MATERIAL AND FINISH

Insulator: Polycarbonate, UL-94V-0 rated
 Contacts: Brass, Nickel plated

ELECTRICAL SPECIFICATIONS:

Current rating: 10 A 
 Voltage rating: 250 VAC
 Current rating: 15 A 
 Voltage rating: 250 VAC 

ORDERING CODE:

42R01-2 2
 1 3

1 = COLOR

- 1 = BLACK
- 2 = GRAY

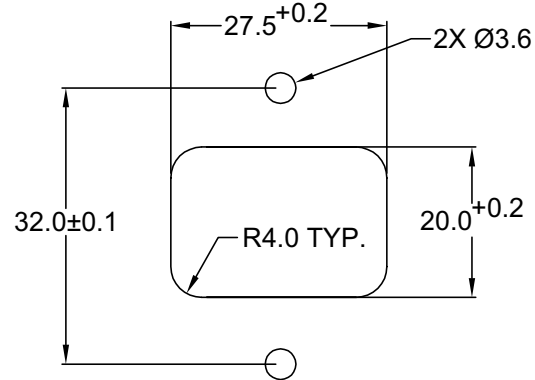
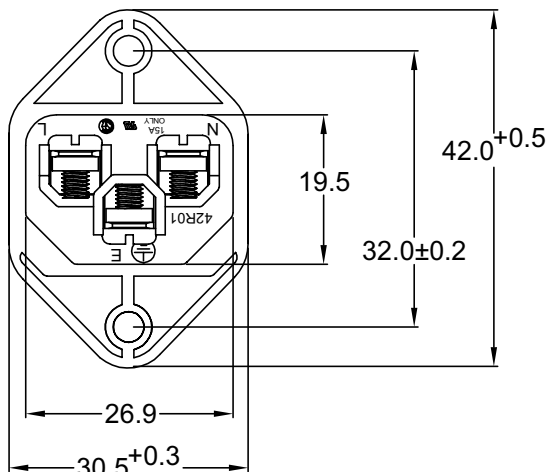
2 = M3x6.0mm
 SCREW TERMINALS

3 = ELECTRICAL CIRCUIT
 CONFIGURATION

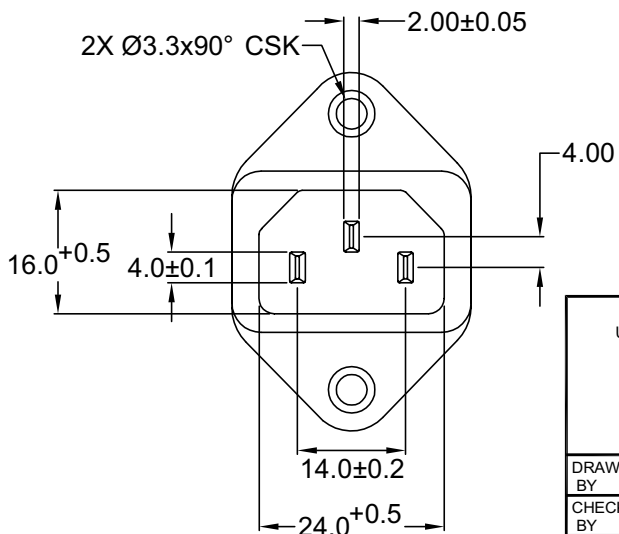
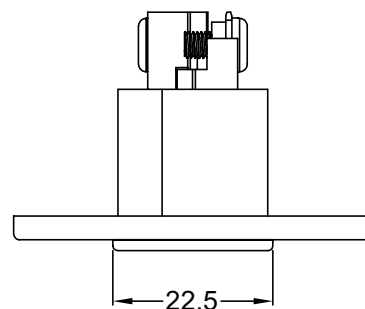
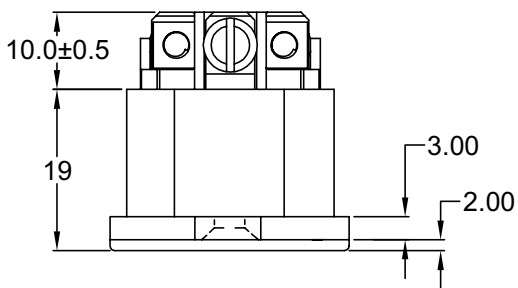
1 = 15A 250V 120°C 
 2+GROUND

2 = 15A 250V 70°C 
 2+GROUND

4 = 15A 250V 70°C 
 2 POLE



RECOMMENDED
 PANEL CUTOUT



Distributed by Electro-Stock, Inc. sales@electrostock.com
 630-682-1542 Fax 630-682-1562 http://www.electrostock.com

TOLERANCE UNLESS OTHERWISE SPECIFIED	
X	± 1
X.X	± 0.4
X.XX	± 0.20
DRAWN BY	GQ
DATE:	08/07/01
CHECK BY	TD
DATE:	08/14/01
APPR BY	PB
DATE:	08/14/01

Power Dynamics, Inc.

Phone: 973 560-0019 Whippany, New Jersey Fax: 973 560-0076

PART: IEC 60320 C14 APPL. INLET; SCREW
 TERMINALS; CROSS FLANGE

42R01-2X2X SHEET 1 of 1

SCALE: NTS ALL DIMENSIONS FOR REFERENCE ONLY
 DIMENSIONS ARE IN MILLIMETERS

REV	DATE	CHANGE	CHK	CHK	APPR