




MATERIAL AND FINISH

Insulator: Polycarbonate, UL-94V-0 rated
 Contacts: Brass, Nickel plated

ELECTRICAL SPECIFICATIONS:

Current rating: 10 A
 Voltage rating: 250 VAC 
 Current rating: 15 A 
 Voltage rating: 250 VAC 

ORDERING CODE:

42R02-3 - - -
 1 2 3 4




1 = TERMINAL OPTIONS

- 1 = .187(4.8)
- 2 = .250(6.3)

2 = COLOR

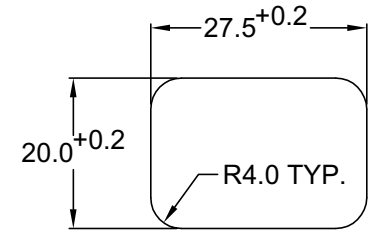
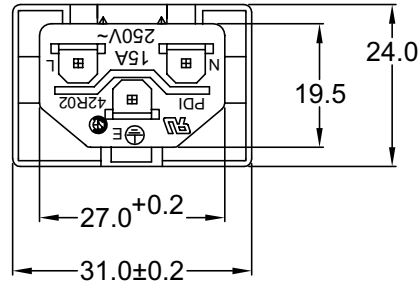
- 1 = BLACK
- 2 = GRAY

3 = ELECTRICAL CIRCUIT CONFIGURATION

- 1 = 15A 250V 120°C 2+GROUND 
- 2 = 15A 250V 70°C 2+GROUND 
- 4 = 15A 250V 70°C 2 POLE 

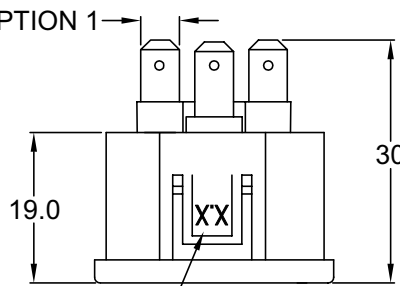
4 = PANEL THICKNESS

Distributed by Electro-Stock, Inc. sales@electrostock.com
 630-682-1542 Fax 630-682-1562 http://www.electrostock.com

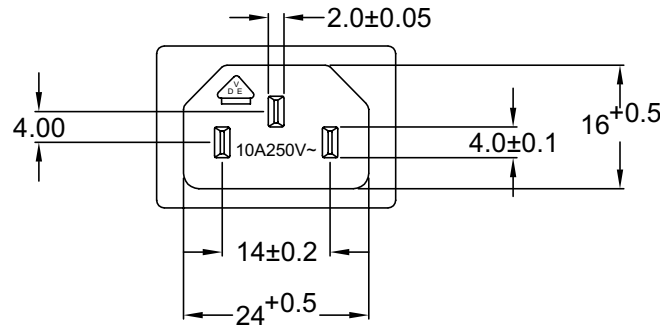
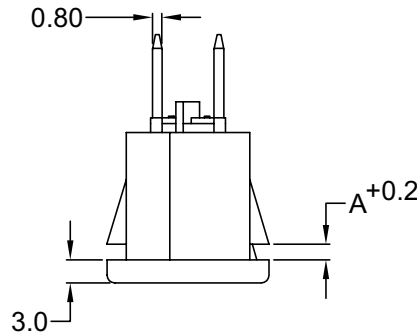


RECOMMENDED PANEL CUTOUT

SEE OPTION 1



REPLACE WITH CORRESPONDING PANEL THICKNESS



P/N	A	MAX. PANEL THICKNESS
42R02-3XXX-150	1.5	1.5
42R02-3XXX-200	2.0	2.0
42R02-3XXX-250	2.5	2.5

ADDITIONAL PANEL THICKNESS AVAILABLE ON REQUEST

TOLERANCE UNLESS OTHERWISE SPECIFIED

X ± 1
 X.X ± 0.4
 X.XX ± 0.20

Power Dynamics, Inc.

Phone: 973 560-0019 Whippany, New Jersey Fax: 973 560-0076

PART: IEC 60320 CONNECTOR; QUICK CONNECT INLET; SNAP-IN

DRAWN BY	GQ	DATE:	8/2/01
CHECK BY	TD	DATE:	08/14/01
APPR BY	PB	DATE:	08/14/01

PART #: 42R02-3XXX-XXX		SHEET 1 of 1
SIZE: A	ALL DIMENSIONS FOR REFERENCE ONLY DIMENSIONS ARE IN MILLIMETERS	REV:
SCALE: NTS		

REV	DATE	CHANGE	CHKG	CHKR	APPR