

6

5

4

3

2

1

MATERIAL AND FINISH

Insulator: Polycarbonate, UL-94V-0 rated  
Contacts: Brass, Nickel plated

ELECTRICAL SPECIFICATIONS:

Current rating: 10 A

Voltage rating: 250 VAC



Current rating: 15 A

Voltage rating: 250 VAC



ORDERING CODE:

42R03-2    2     
          1    2

1) COLOR

- 1 = BLACK
- 2 = GRAY

2) ELECTRICAL CIRCUIT CONFIGURATION

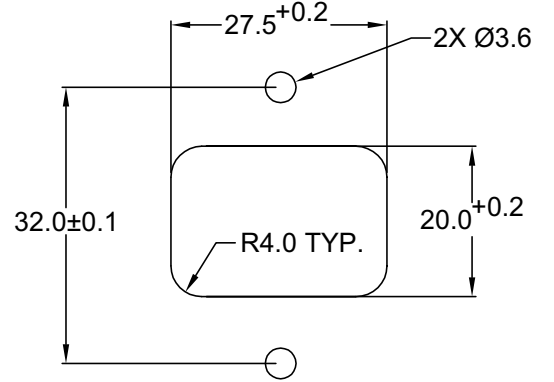
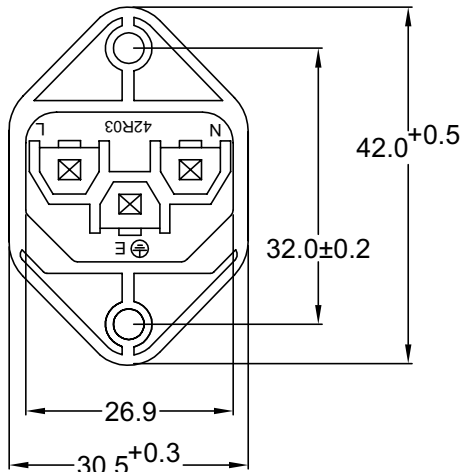
1 = 15A 250V 120°C  
2+GROUND



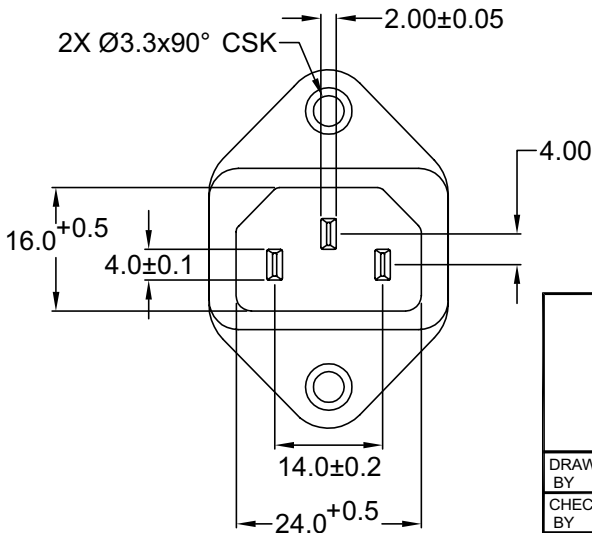
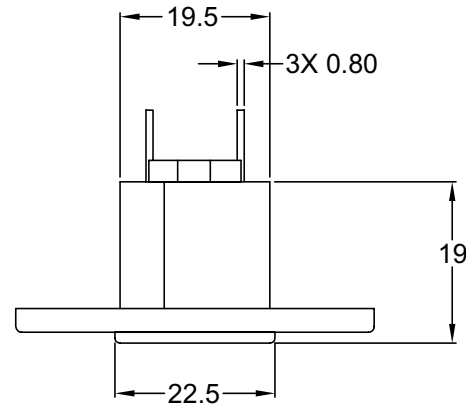
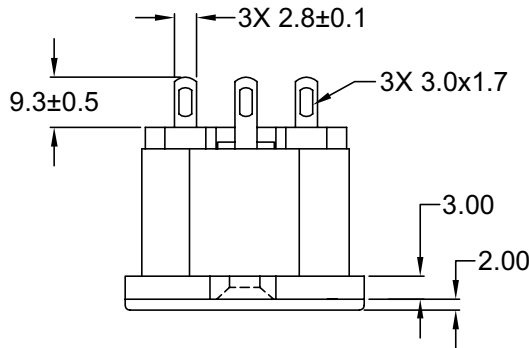
2 = 15A 250V 70°C  
2+GROUND



4 = 15A 250V 70°C  
2 POLE



RECOMMENDED  
PANEL CUTOUT



Distributed by Electro-Stock, Inc. sales@electrostock.com  
630-682-1542 Fax 630-682-1562 http://www.electrostock.com

TOLERANCE UNLESS OTHERWISE SPECIFIED	
X	± 1
X.X	± 0.4
X.XX	± 0.20
DRAWN BY	GQ
CHECK BY	TD
DATE:	08/16/01
DATE:	08/20/01
DATE:	08/21/01

<b>Power Dynamics, Inc.</b>	
Phone: 973 560-0019 Whippany, New Jersey Fax: 973 560-0076	
PART: IEC 60320 C14 APPL. INLET; SOLDER TERMINALS; CROSS FLANGE	
42R03-2X2X	
SIZE: A	ALL DIMENSIONS FOR REFERENCE ONLY DIMENSIONS ARE IN MILLIMETERS
SCALE: NTS	REV:

D

C

B

A

REV	DATE	CHANGE	CHNG	CHECK	APPR

6

5

4

3

2

1