

6 5 4 3 2 1

MATERIAL AND FINISH

Insulator: Polycarbonate, UL-94V-0 rated
 Contacts: Brass, Nickel plated

Distributed by Electro-Stock, Inc. sales@electrostock.com
 630-682-1542 Fax 630-682-1562 http://www.electrostock.com


ELECTRICAL SPECIFICATIONS:




Current rating: 10 A
 Voltage rating: 250 VAC

ORDERING CODE:

42R04- $\frac{1}{1}$ $\frac{1}{2}$

1) ELECTRICAL CIRCUIT CONFIGURATION

1 = 10A 250V 70°C
 2+GROUND     

2 = 10A 250V 120°C
 2+GROUND   

2) COLOR
 1 = BLACK
 2 = GRAY

NOTE:
 Contains integral cable clamp strain relief & internal screw type connections. Maximum wire gauge is 16AWG stranded.

TOLERANCE UNLESS OTHERWISE SPECIFIED		
X	±	1
X.X	±	0.4
X.XX	±	0.20
DRAWN BY	GQ	DATE: 08/17/01
CHECK BY	TD	DATE: 08/20/01
APPR BY	PB	DATE: 08/21/01

Power Dynamics, Inc.		
Phone: 973 560-0019 Whippany, New Jersey Fax: 973 560-0076		
PART: IEC 60320 C14 MALE POWER CORD PLUG R/A LEFT HANDED CONNECTION		
PART #: 42R04-X1X1		SHEET 1 of 1
SIZE: A	ALL DIMENSIONS FOR REFERENCE ONLY DIMENSIONS ARE IN MILLIMETERS	
SCALE: NTS	REV:	

D

C

B

A

REVISIONS
 CHANGE
 CHNG
 CHECK
 APPR
 REV
 DATE

6 5 4 3 2 1

6

5

4

3

2

1

MATERIAL AND FINISH

Insulator: Polycarbonate, UL-94V-0 rated
Contacts: Brass, Nickel plated

Distributed by Electro-Stock, Inc. sales@electrostock.com
630-682-1542 Fax 630-682-1562 http://www.electrostock.com

ELECTRICAL SPECIFICATIONS:

Current rating: 10 A
Voltage rating: 250 VAC

ORDERING CODE:

42R04- $\frac{2}{1}$ $\frac{1}{2}$

1) ELECTRICAL CIRCUIT CONFIGURATION

1 = 10A 250V 70°C
2+GROUND

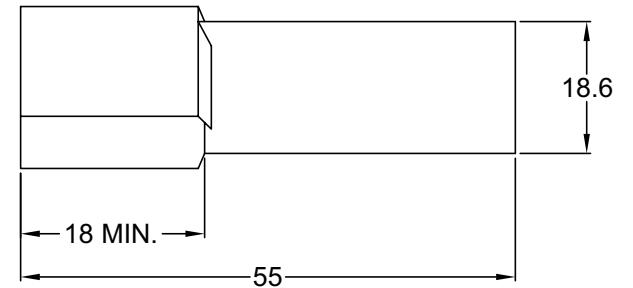
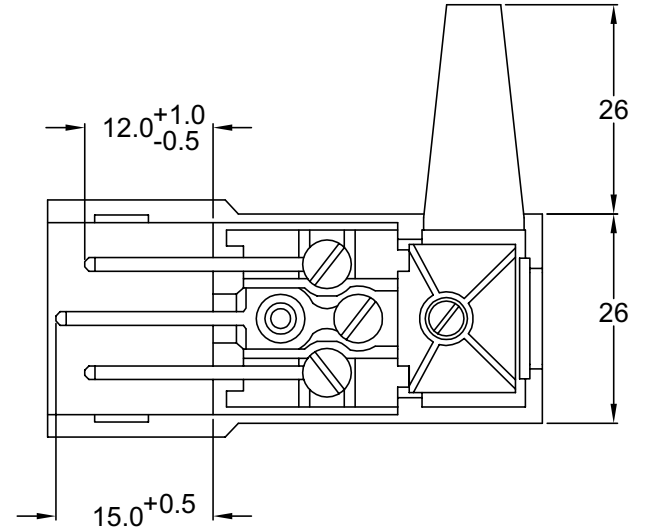
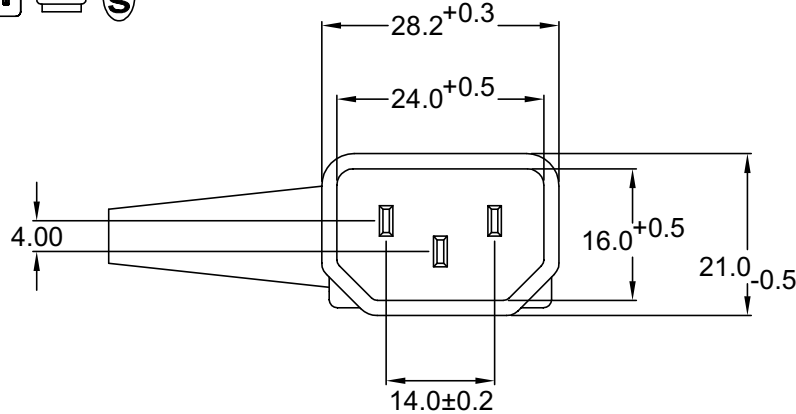


2 = 10A 250V 120°C
2+GROUND



2) COLOR

1 = BLACK
2 = GRAY



NOTE:

Contains integral cable clamp strain relief & internal screw type connections. Maximum wire gauge is 16AWG stranded.

REV	DATE	CHANGE	CHNG	CHK	APPR

TOLERANCE UNLESS OTHERWISE SPECIFIED		
X	±	1
X.X	±	0.4
X.XX	±	0.20
DRAWN BY	GQ	DATE: 08/17/01
CHECK BY	TD	DATE: 08/20/01
APPR BY	PB	DATE: 08/21/01

Power Dynamics, Inc.		
Phone: 973 560-0019 Whippany, New Jersey Fax: 973 560-0076		
PART: IEC 60320 C14 MALE POWER CORD PLUG R/A RIGHT HANDED CONNECTION		
PART #: 42R04-X2X1		SHEET 1 of 1
SIZE: A	ALL DIMENSIONS FOR REFERENCE ONLY	
SCALE: NTS	DIMENSIONS ARE IN MILLIMETERS	
REV:		

6

5

4

3

2

1

6

5

4

3

2

1

MATERIAL AND FINISH

Insulator: Polycarbonate, UL-94V-0 rated
Contacts: Brass, Nickel plated

Distributed by Electro-Stock, Inc. sales@electrostock.com
630-682-1542 Fax 630-682-1562 http://www.electrostock.com

ELECTRICAL SPECIFICATIONS:

Current rating: 10 A
Voltage rating: 250 VAC

ORDERING CODE:

42R04- $\frac{3}{1}$ $\frac{1}{2}$

1) ELECTRICAL CIRCUIT CONFIGURATION

1 = 10A 250V 70°C
2+GROUND

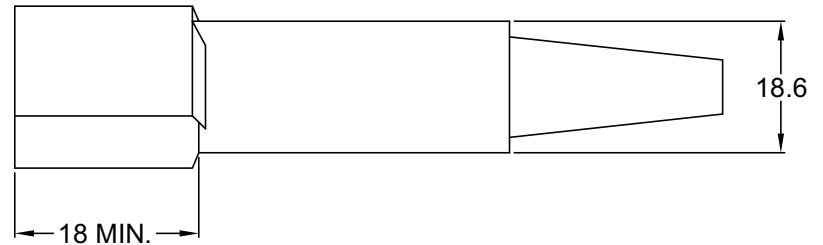
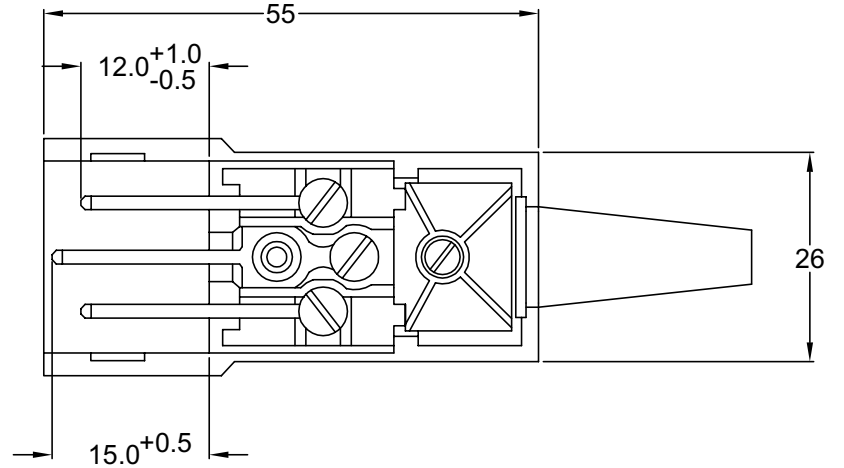
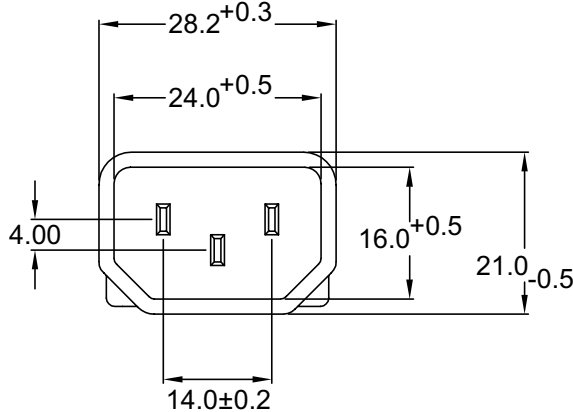


2 = 10A 250V 120°C
2+GROUND



2) COLOR

1 = BLACK
2 = GRAY



NOTE:

Contains integral cable clamp strain relief & internal screw type connections. Maximum wire gauge is 16AWG stranded.

REV	DATE	CHANGE	CHNG	CHK	APPR

TOLERANCE UNLESS OTHERWISE SPECIFIED			
X	± 1		
X.X	± 0.4		
X.XX	± 0.20		
DRAWN BY	GQ	DATE:	08/17/01
CHECK BY	TD	DATE:	08/20/01
APPR BY	PB	DATE:	08/21/01

Power Dynamics, Inc.

Phone: 973 560-0019 Whippany, New Jersey Fax: 973 560-0076

PART: IEC 60320 C14 MALE POWER CORD PLUG
STRAIGHT CONNECTION

42R04-X3X1

SHEET
1 of 1

SIZE: A
SCALE: NTS

ALL DIMENSIONS FOR REFERENCE ONLY
DIMENSIONS ARE IN MILLIMETERS

REV:

6

5

4

3

2

1