

6

5

4

3

2

1

MATERIAL AND FINISH

Insulator: Polycarbonate, UL-94V-0 rated
Contacts: Brass, Tin plated

ELECTRICAL SPECIFICATIONS:

Current rating: 10 A
Voltage rating: 250 VAC
Current rating: 15 A
Voltage rating: 250 VAC
Insulation resistance: 100 Mohm min. at 500 VDC
Dielectric withstanding voltage: 2000 VAC for one minute

ORDERING CODE:

42R05-3 1 2 3

- 1) COLOR
1 = BLACK
2 = GRAY

2) ELECTRICAL CIRCUIT CONFIGURATION

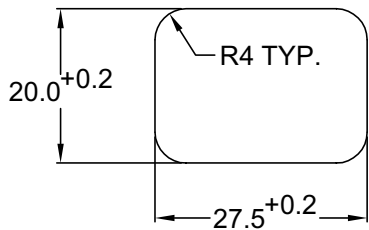
3 = 15A 250V 70°C
2+GROUND



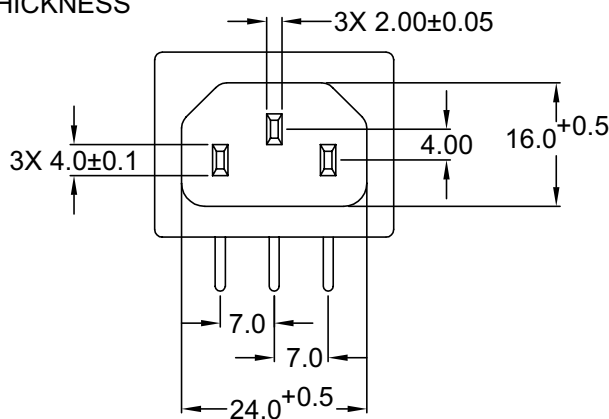
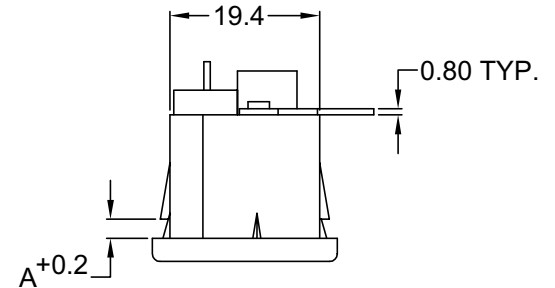
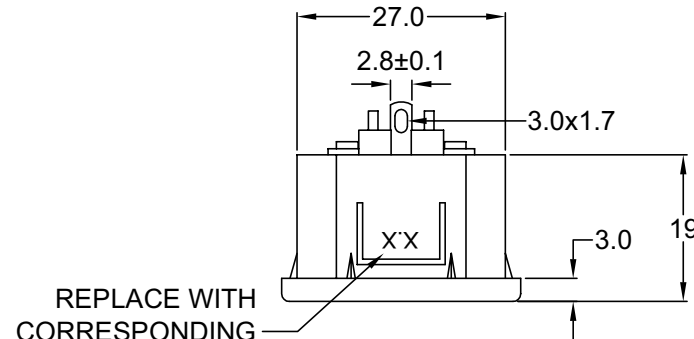
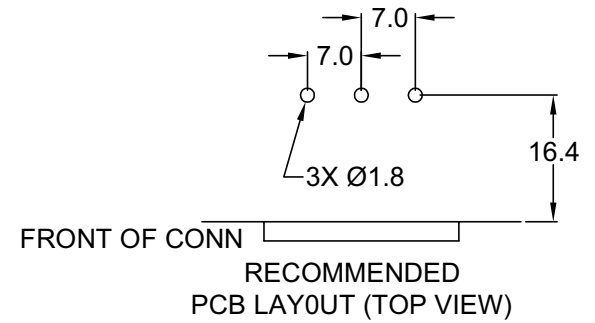
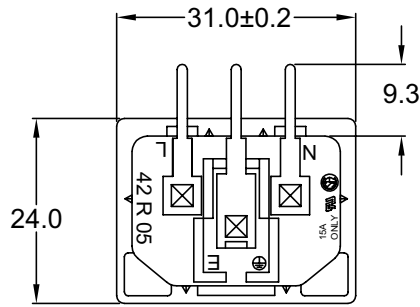
7 = 15A 250V 120°C
2+GROUND



3) PANEL THICKNESS



RECOMMENDED PANEL CUTOUT



Distributed by Electro-Stock, Inc.
sales@electrostock.com
630-682-1542 Fax 630-682-1562
http://www.electrostock.com

P/N	A	MAX. PANEL THICKNESS
42R05-3X1X-150	1.5	1.5
42R05-3X1X-200	2.0	2.0
42R05-3X1X-250	2.5	2.5

ADDITIONAL PANEL THICKNESS AVAILABLE ON REQUEST

TOLERANCE UNLESS OTHERWISE SPECIFIED	
X	± 1
X.X	± 0.4
X.XX	± 0.20
DRAWN BY	GQ
CHECK BY	TD
APPR BY	PB
DATE:	09/04/01
DATE:	09/06/01
DATE:	09/06/01

Power Dynamics, Inc.

Phone: 973 560-0019 Whippany, New Jersey Fax: 973 560-0076

PART: 10/15A IEC 60320 APPL. INLET; PCB TERMINALS; SNAP-IN

PART #: 42R05-3X1X-XXX		SHEET 1 of 1
SIZE: A	ALL DIMENSIONS FOR REFERENCE ONLY DIMENSIONS ARE IN MILLIMETERS	REV:
SCALE: NTS		

D

C

B

A

REV	DATE	CHANGE	CHNG	CHK	APPR

6

5

4

3

2

1

6

5

4

3

2

1

MATERIAL AND FINISH

Insulator: Polycarbonate, UL-94V-0 rated
Contacts: Brass, Tin plated

ELECTRICAL SPECIFICATIONS:

Current rating: 10 A
Voltage rating: 250 VAC
Current rating: 15 A
Voltage rating: 250 VAC
Insulation resistance: 100 Mohm min. at 500 VDC
Dielectric withstanding voltage: 2000 VAC for one minute

ORDERING CODE:

42R05-3 -
 1 2 3

1) COLOR

- 1 = BLACK
- 2 = GRAY

2) ELECTRICAL CIRCUIT CONFIGURATION

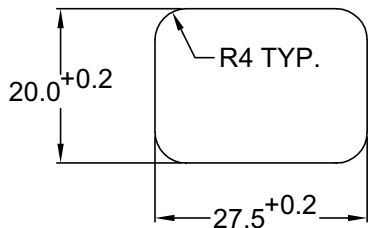
3 = 15A 250V 70°C
2+GROUND



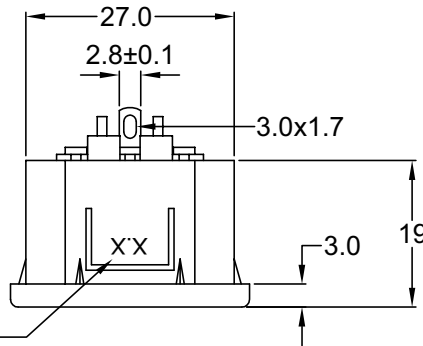
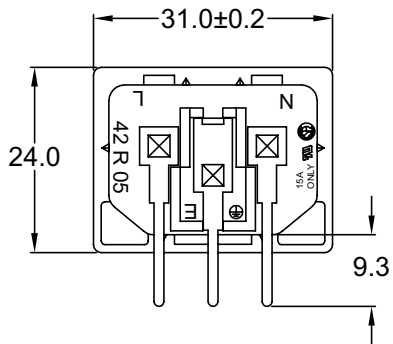
7 = 15A 250V 120°C
2+GROUND



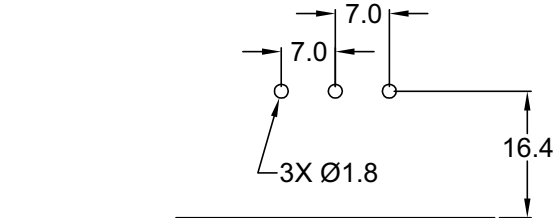
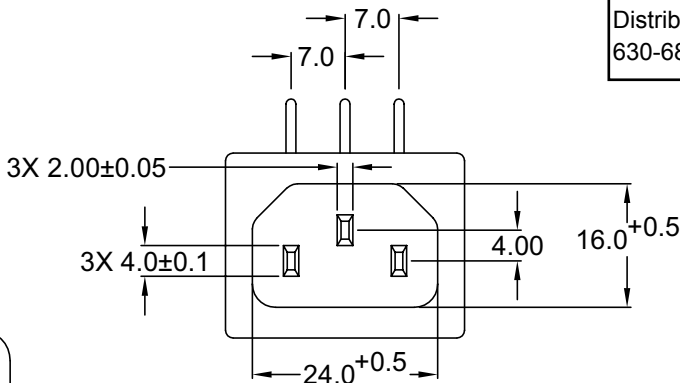
3) PANEL THICKNESS



RECOMMENDED PANEL CUTOUT

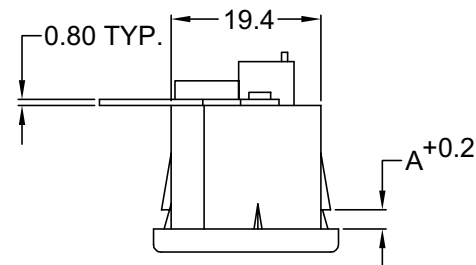


REPLACE WITH CORRESPONDING PANEL THICKNESS



FRONT OF CONN

RECOMMENDED PCB LAYOUT (TOP VIEW)



Distributed by Electro-Stock, Inc. sales@electrostock.com
630-682-1542 Fax 630-682-1562 http://www.electrostock.com

P/N	A	MAX. PANEL THICKNESS
42R05-3X2X-150	1.5	1.5
42R05-3X2X-200	2.0	2.0
42R05-3X2X-250	2.5	2.5

ADDITIONAL PANEL THICKNESS AVAILABLE ON REQUEST

TOLERANCE UNLESS OTHERWISE SPECIFIED	
X	± 1
X.X	± 0.4
X.XX	± 0.20
DRAWN BY	GQ
CHECK BY	TD
APPR BY	PB
DATE:	09/04/01
DATE:	09/06/01
DATE:	09/06/01

Power Dynamics, Inc.

Phone: 973 560-0019 Whippany, New Jersey Fax: 973 560-0076

PART: 10/15A IEC 60320 APPL. INLET; PCB TERMINALS; SNAP-IN

PART #: **42R05-3X2X-XXX** SHEET 1 of 1

SIZE: A ALL DIMENSIONS FOR REFERENCE ONLY SCALE: NTS DIMENSIONS ARE IN MILLIMETERS REV:

D

C

B

A

REVISIONS	CHNG	CHECK	APPR
	DATE	CHANGE	

6

5

4

3

2

1

6

5

4

3

2

1

MATERIAL AND FINISH

Insulator: Polycarbonate, UL-94V-0 rated
Contacts: Brass, Tin plated

ELECTRICAL SPECIFICATIONS:

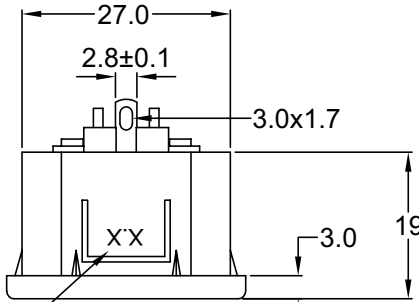
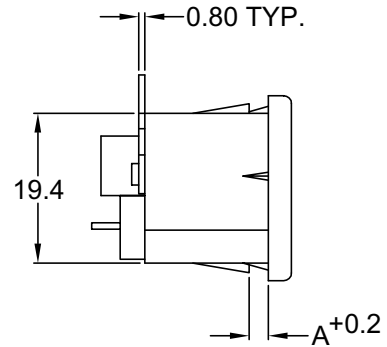
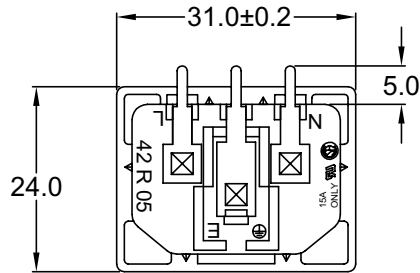
Current rating: 10 A
Voltage rating: 250 VAC
Current rating: 15 A
Voltage rating: 250 VAC
Insulation resistance: 100 Mohm min. at 500 VDC
Dielectric withstanding voltage: 2000 VAC for one minute

ORDERING CODE:

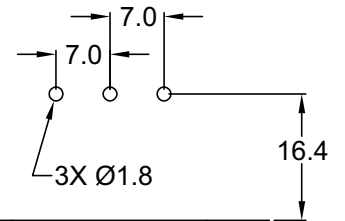
42R05-3 43 -
 1 2

- 1) COLOR
- 1 = BLACK
- 2 = GRAY

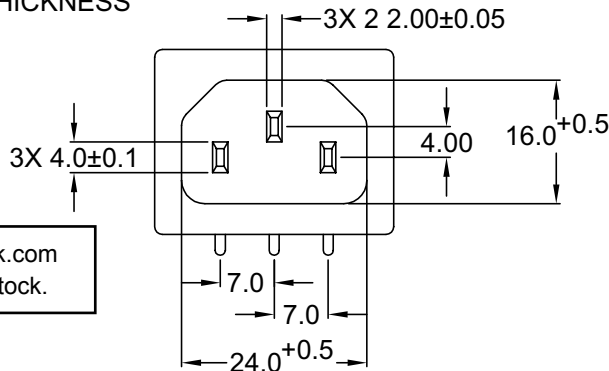
- 2) PANEL THICKNESS



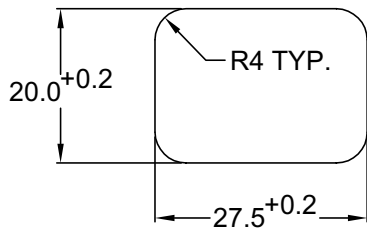
REPLACE WITH CORRESPONDING PANEL THICKNESS



FRONT OF CONN
RECOMMENDED PCB LAYOUT (TOP VIEW)



Distributed by Electro-Stock, Inc. sales@electrostock.com
630-682-1542 Fax 630-682-1562 http://www.electrostock.



RECOMMENDED PANEL CUTOUT

P/N	A	MAX. PANEL THICKNESS
42R05-3X43-150	1.5	1.5
42R05-3X43-200	2.0	2.0
42R05-3X43-250	2.5	2.5

ADDITIONAL PANEL THICKNESS AVAILABLE ON REQUEST

TOLERANCE UNLESS OTHERWISE SPECIFIED	
X	± 1
X.X	± 0.4
X.XX	± 0.20
DRAWN BY	GQ
CHECK BY	TD
APPR BY	PB
DATE:	09/05/01
DATE:	09/19/01
DATE:	09/19/01

Power Dynamics, Inc.

Phone: 973 560-0019 Whippany, New Jersey Fax: 973 560-0076

PART: 10/15A IEC 60320 APPL. INLET; PCB TERMINALS; SNAP-IN

PART #: 42R05-3X43-XXX		SHEET 1 of 1
SIZE: A	ALL DIMENSIONS FOR REFERENCE ONLY DIMENSIONS ARE IN MILLIMETERS	REV:
SCALE: NTS		

REVISIONS	CHNG	CHECK	APPR
	CHANGE		
REV	DATE		

6

5

4

3

2

1