

6

5

4

3

2

1

MATERIAL AND FINISH

Insulator: Polycarbonate, UL-94V-0 rated
Contacts: Brass, Nickel plated

ELECTRICAL SPECIFICATIONS:

Current rating: 16 A
Voltage rating: 250 VAC
Current rating: 20 A
Voltage rating: 250 VAC
Insulation resistance: 100 Mohm min. at 500 VDC
Dielectric withstanding voltage: 2000 VAC for one minute



ORDERING CODE:

42R07-1 2
 1 2

- 1) COLOR
1 = BLACK
2 = GRAY

2) ELECTRICAL CIRCUIT CONFIGURATION

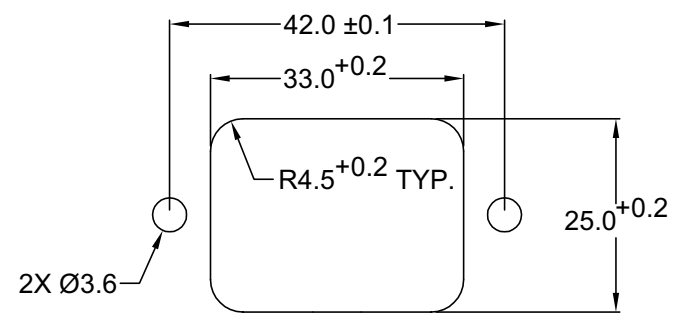
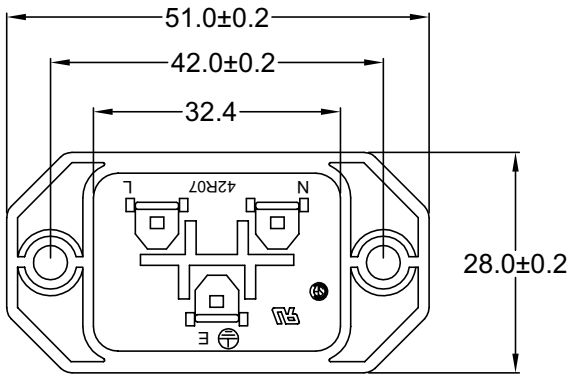
1 = 20A 250V 70°C
2+GROUND



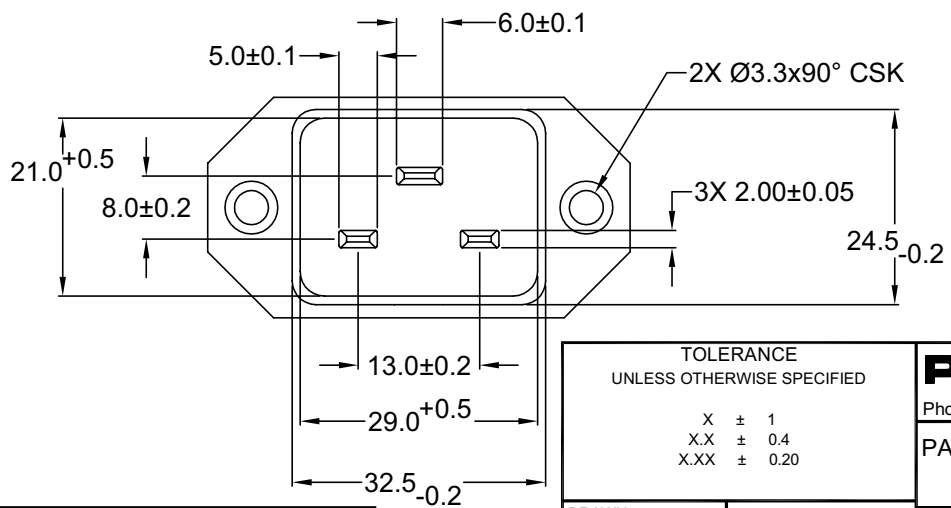
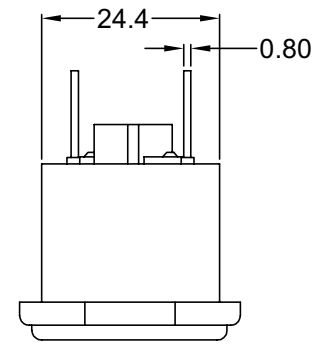
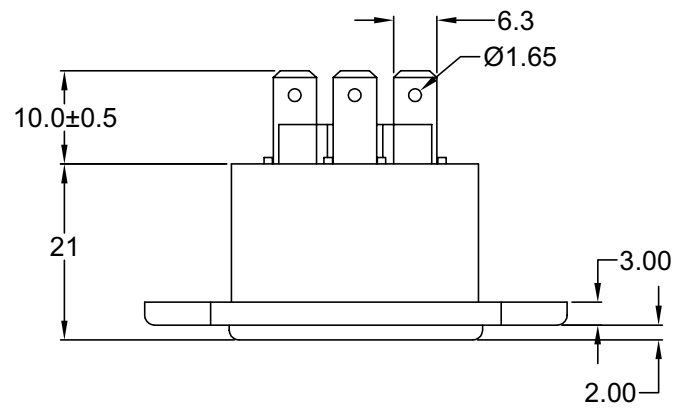
2 = 20A 250V 155°C
2+GROUND



4 = 20A 250V 70°C
2 POLE



RECOMMENDED PANEL CUTOUT



TOLERANCE UNLESS OTHERWISE SPECIFIED

X	±	1
X.X	±	0.4
X.XX	±	0.20

Power Dynamics, Inc.

Phone: 973 560-0019 Whippany, New Jersey Fax: 973 560-0076

PART: 16/20A IEC 60320 APPL. INLET; QC
TERMINALS; SIDE FLANGE, PANEL MOUNT

DRAWN BY	GQ	DATE:	08/24/01
CHECK BY	TD	DATE:	08/29/01
APPR BY	PB	DATE:	08/29/01

PART #: 42R07-1X2X		SHEET 1 of 1
SIZE: A	ALL DIMENSIONS FOR REFERENCE ONLY DIMENSIONS ARE IN MILLIMETERS	REV:
SCALE: NTS		

Distributed by Electro-Stock, Inc. sales@electrostock.com
630-682-1542 Fax 630-682-1562 http://www.electrostock.com

D

C

B

A

REVISIONS	CHNG	CHK	APPR
REV	DATE	CHANGE	

6

5

4

3

2

1