

6

5

4

3

2

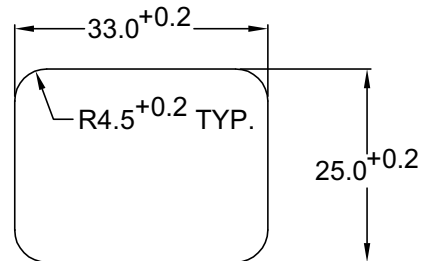
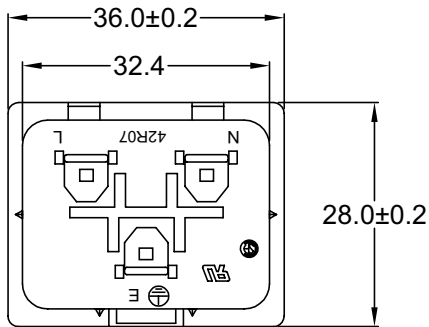
1

### MATERIAL AND FINISH

Insulator: Polycarbonate, UL-94V-0 rated  
Contacts: Brass, Nickel plated

### ELECTRICAL SPECIFICATIONS:

Current rating: 16 A  
Voltage rating: 250 VAC  
Current rating: 20 A  
Voltage rating: 250 VAC  
Insulation resistance: 100 Mohm min. at 500 VDC  
Dielectric withstanding voltage: 2000 VAC for one minute



RECOMMENDED PANEL CUTOUT

### ORDERING CODE:

42R07-3  $\frac{2}{1}$   $\frac{2}{2}$  -  $\frac{3}{3}$

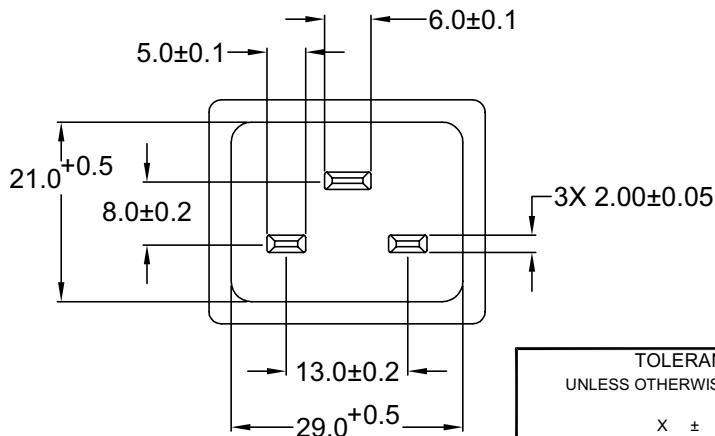
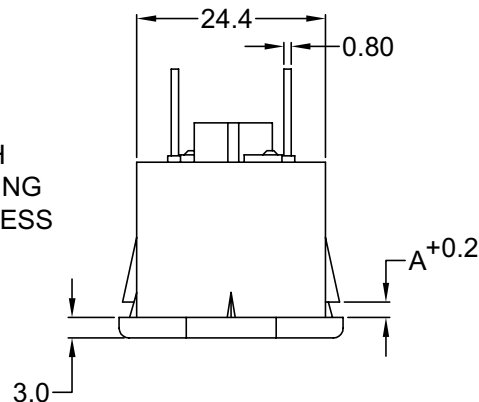
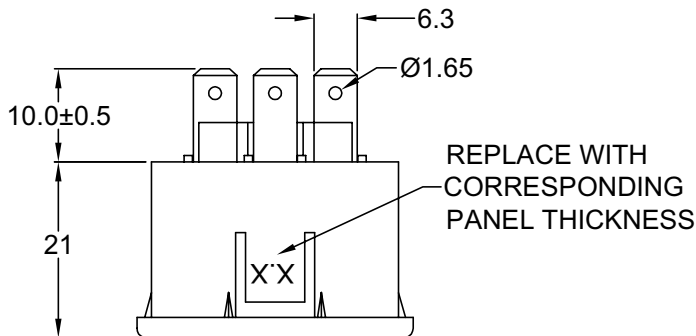
#### 1) COLOR

- 1 = BLACK
- 2 = GRAY

#### 2) ELECTRICAL CIRCUIT CONFIGURATION

- 1 = 20A 250V 70°C 2+GROUND
- 2 = 20A 250V 155°C 2+GROUND
- 4 = 20A 250V 70°C 2 POLE

#### 3) PANEL THICKNESS



P/N	A	MAX. PANEL THICKNESS
42R07-3X2X-150	1.5	1.5
42R07-3X2X-200	2.0	2.0
42R07-3X2X-250	2.5	2.5

ADDITIONAL PANEL THICKNESS AVAILABLE ON REQUEST

TOLERANCE UNLESS OTHERWISE SPECIFIED	
X	± 1
X.X	± 0.4
X.XX	± 0.20
DRAWN BY	GQ
CHECK BY	TD
APPR BY	PB
DATE:	08/24/01
DATE:	08/29/01
DATE:	08/29/01

**Power Dynamics, Inc.**  
Phone: 973 560-0019 Whippany, New Jersey Fax: 973 560-0076

PART: 16/20A IEC 60320 APPL. INLET; QC  
TERMINALS; SNAP-IN, PANEL MOUNT

**42R07-3X2X-XXX**

SIZE: A  
SCALE: NTS

ALL DIMENSIONS FOR REFERENCE ONLY  
DIMENSIONS ARE IN MILLIMETERS

SHEET 1 of 1  
REV:

Distributed by Electro-Stock, Inc. sales@electrostock.com  
630-682-1542 Fax 630-682-1562 http://www.electrostock.com

REVISIONS	CHNG	CHECK	APPR
REV	DATE	CHANGE	

6

5

4

3

2

1