

6

5

4

3

2

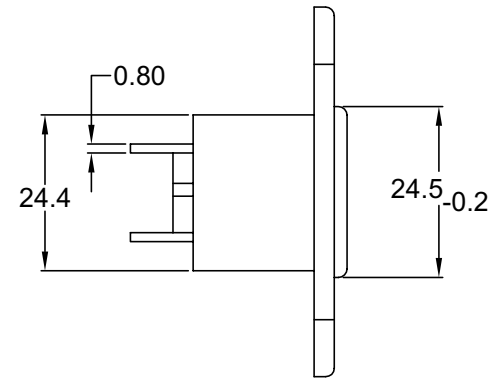
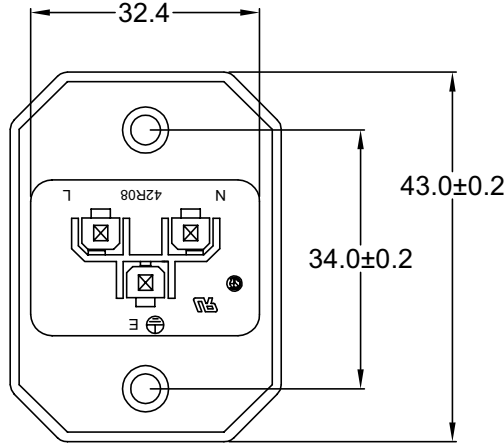
1

MATERIAL AND FINISH

Insulator: Polycarbonate, UL-94V-0 rated
Contacts: Brass, Nickel plated

ELECTRICAL SPECIFICATIONS:

Current rating: 16 A
Voltage rating: 250 VAC
Current rating: 20 A
Voltage rating: 250 VAC
Insulation resistance: 100 Mohm min. at 500 VDC
Dielectric withstanding voltage: 2000 VAC for one minute



Distributed by Electro-Stock, Inc. sales@electrostock.com
630-682-1542 Fax 630-682-1562 http://www.electrostock.com

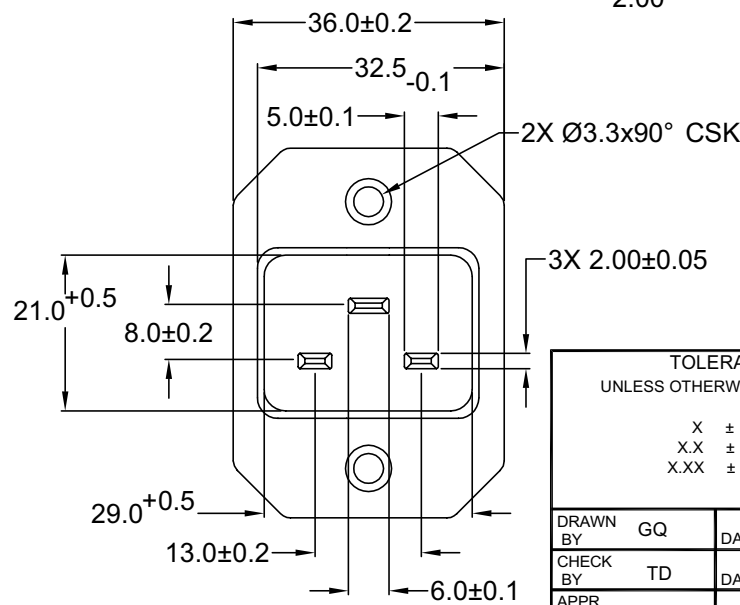
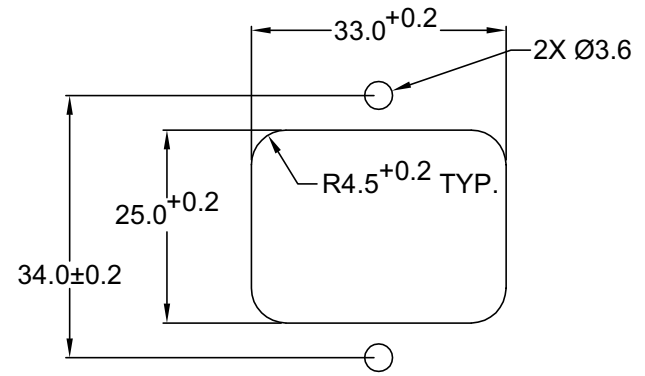
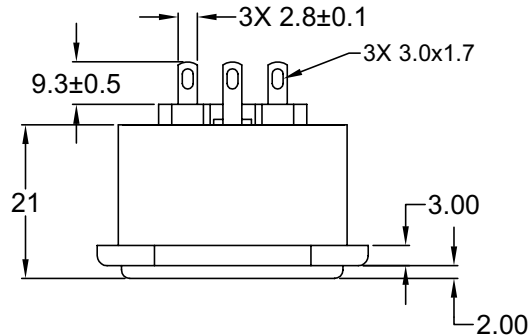
ORDERING CODE:

42R08-2 $\frac{2}{1 \ 2}$

- 1) COLOR
1 = BLACK
2 = GRAY

2) ELECTRICAL CIRCUIT CONFIGURATION

- 1 = 20A 250V 70°C 2+GROUND
- 2 = 20A 250V 155°C 2+GROUND
- 4 = 20A 250V 70°C 2 POLE



TOLERANCE UNLESS OTHERWISE SPECIFIED

X	± 1
X.X	± 0.4
X.XX	± 0.20

DRAWN BY	GQ	DATE:	08/24/01
CHECK BY	TD	DATE:	08/29/01
APPR BY	PB	DATE:	08/29/01

Power Dynamics, Inc.
Phone: 973 560-0019 Whippany, New Jersey Fax: 973 560-0076
PART: 16/20A IEC 60320 APPL. INLET; SOLDER TERMINALS; CROSS FLANGE, PANEL MOUNT
42R08-2X2X
PART #: 42R08-2X2X
SIZE: A ALL DIMENSIONS FOR REFERENCE ONLY
SCALE: NTS DIMENSIONS ARE IN MILLIMETERS
SHEET 1 of 1
REV:

D

C

B

A

REV	DATE	CHANGE	CHNG	CHECK	APPR

6

5

4

3

2

1