

MATERIAL AND FINISH

Insulator: Polycarbonate, UL-94V-0 rated  
Contacts: Brass, Nickel plated

ELECTRICAL SPECIFICATIONS:

Current rating: 10 A  
Voltage rating: 250 VAC  
Insulation resistance: 100 Mohm min. at 500 VDC  
Dielectric withstanding voltage: 2000 VAC for one minute

ORDERING CODE:

42R31-3  $\frac{1}{1}$   $\frac{1}{2}$  -  $\frac{1}{3}$

1) COLOR

- 1 = BLACK
- 2 = GRAY

2) ELECTRICAL CIRCUIT CONFIGURATION

1 = 10A 250V 70°C  
2+GROUND



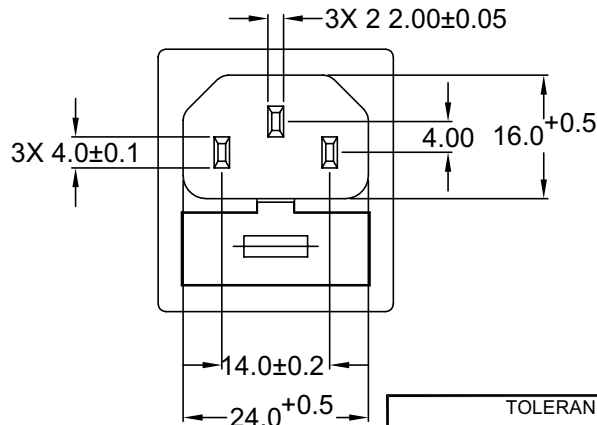
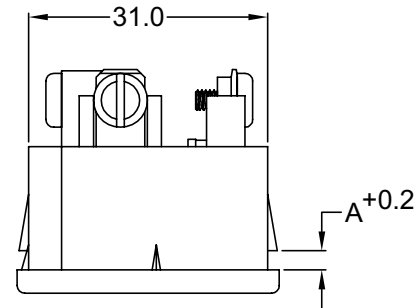
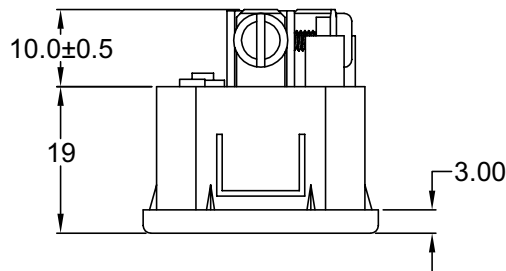
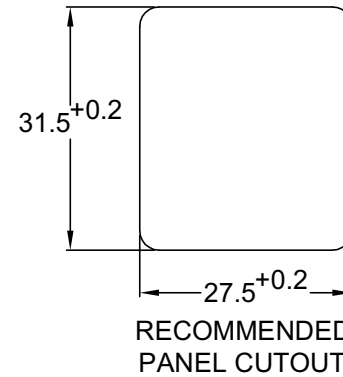
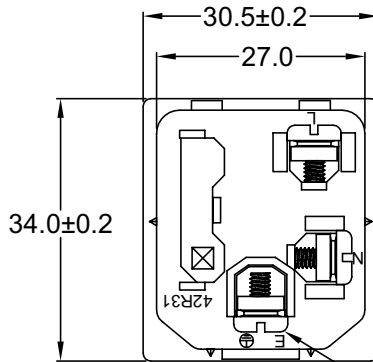
2 = 10A 250V 120°C  
2+GROUND



4 = 10A 250V 70°C  
2 POLE



3) PANEL THICKNESS



P/N	A	MAX. PANEL THICKNESS
42R31-3X1X-150	1.5	1.5
42R31-3X1X-200	2.0	2.0
42R31-3X1X-250	2.5	2.5

ADDITIONAL PANEL THICKNESS  
AVAILABLE ON REQUEST

**Power Dynamics, Inc.**

Phone: 973 560-0019 Whippany, New Jersey Fax: 973 560-0076

PART: IEC 60320 SINGLE FUSE HOLDER APPL. INLET;  
SCREW TERMINALS; SNAP-IN

42R31-3X1X-XXX

SHEET  
1 of 1

TOLERANCE UNLESS OTHERWISE SPECIFIED		
X	±	1
X.X	±	0.4
X.XX	±	0.20

DRAWN BY	GQ	DATE:	08/30/01
CHECK BY	TD	DATE:	09/06/01
APPR BY	PB	DATE:	09/06/01

SIZE: A  
SCALE: NTS  
ALL DIMENSIONS FOR REFERENCE ONLY  
DIMENSIONS ARE IN MILLIMETERS  
REV:

Distributed by Electro-Stock, Inc. sales@electrostock.com  
630-682-1542 Fax 630-682-1562 http://www.electrostock.com

REV	DATE	CHANGE	CHNG	CHK	APPR