

MATERIAL AND FINISH

Insulator: Polycarbonate, UL-94V-0 rated  
Contacts: Brass, Nickel plated

ELECTRICAL SPECIFICATIONS:

Current rating: 10 A  
Voltage rating: 250 VAC  
Insulation resistance: 100 Mohm min. at 500 VDC  
Dielectric withstanding voltage: 2000 VAC for one minute

ORDERING CODE:

42R32-3 - - -  
1 2 3 4

1) COLOR

- 1 = BLACK  
2 = GRAY

2) TERMINAL OPTIONS

- 1 = .187(4.8)  
2 = .250(6.3)

3) ELECTRICAL CIRCUIT CONFIGURATION

1 = 10A 250V 70°C  
2+GROUND



2 = 10A 250V 120°C  
2+GROUND

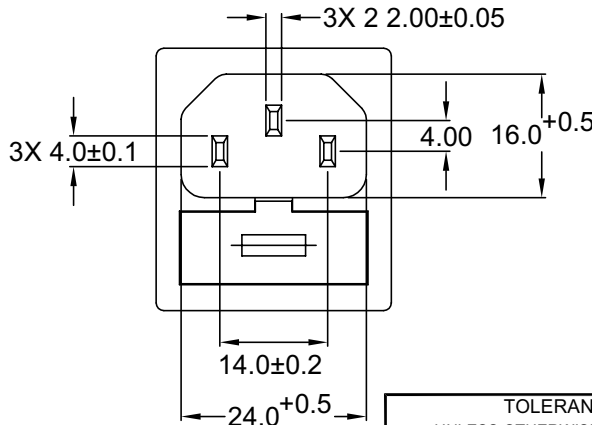
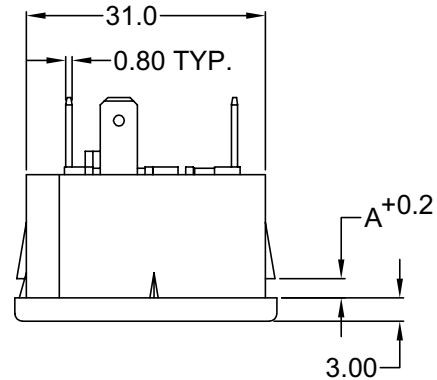
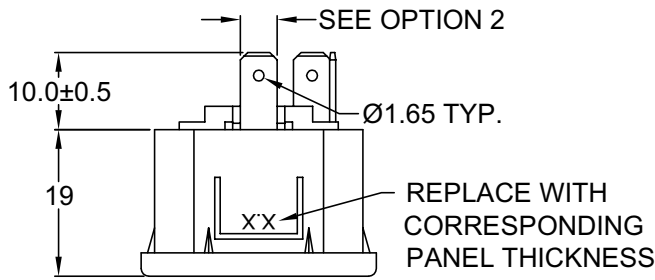
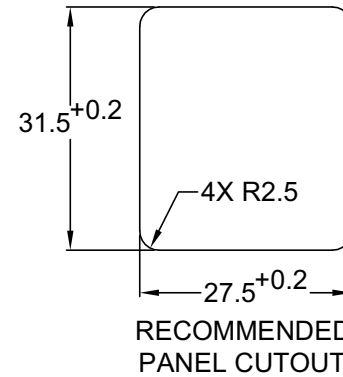
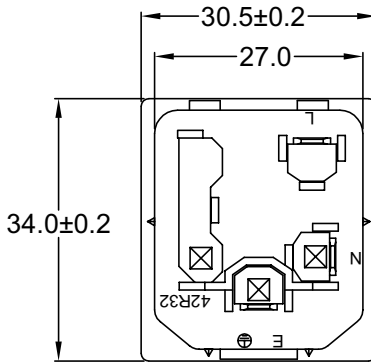


4 = 10A 250V 70°C  
2 POLE



4) PANEL THICKNESS

Distributed by Electro-Stock, Inc. sales@electrostock.com  
630-682-1542 Fax 630-682-1562 http://www.electrostock.com



P/N	A	MAX. PANEL THICKNESS
42R32-3XXX-150	1.5	1.5
42R32-3XXX-200	2.0	2.0
42R32-3XXX-250	2.5	2.5

ADDITIONAL PANEL THICKNESS  
AVAILABLE ON REQUEST

TOLERANCE UNLESS OTHERWISE SPECIFIED	
X	± 1
X.X	± 0.4
X.XX	± 0.20
DRAWN BY	GQ
CHECK BY	TD
APPR BY	PB
DATE:	09/09/01
DATE:	09/09/01
DATE:	09/09/01

**Power Dynamics, Inc.**

Phone: 973 560-0019 Whippany, New Jersey Fax: 973 560-0076

PART: IEC 60320 SINGLE FUSE HOLDER APPL. INLET;  
QUICK CONNECT TERMINALS; SNAP-IN

PART #: 42R32-3XXX-XXX		SHEET 1 of 1
SIZE: A	ALL DIMENSIONS FOR REFERENCE ONLY DIMENSIONS ARE IN MILLIMETERS	
SCALE: NTS	REV:	

D

C

B

A

REVISIONS	CHNG	CHECK	APPR
	DATE	CHANGE	