

MATERIAL AND FINISH

Insulator: Polycarbonate, UL-94V-0 rated
Contacts: Brass, Nickel plated

ELECTRICAL SPECIFICATIONS:

Current rating: 10 A
Voltage rating: 250 VAC
Insulation resistance: 100 Mohm min. at 500 VDC
Dielectric withstanding voltage: 2000 VAC for one minute

ORDERING CODE:

42R33-3 $\frac{2}{1}$ $\frac{2}{2}$ - $\frac{1}{3}$

1) COLOR

- 1 = BLACK
2 = GRAY

2) ELECTRICAL CIRCUIT CONFIGURATION

1 = 10A 250V 70°C
2+GROUND



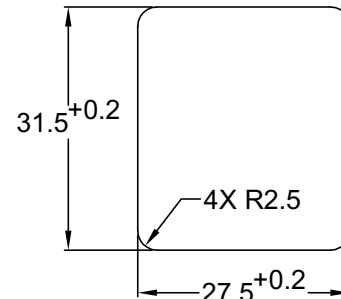
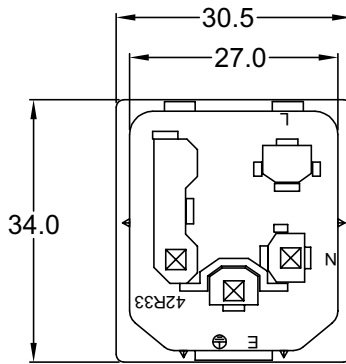
2 = 10A 250V 120°C
2+GROUND



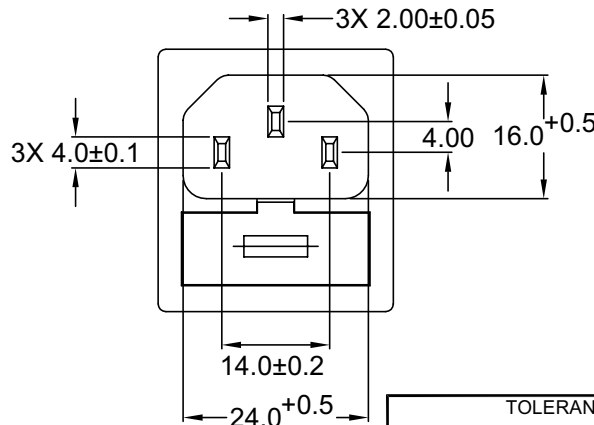
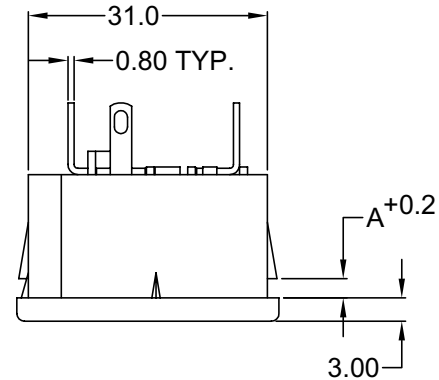
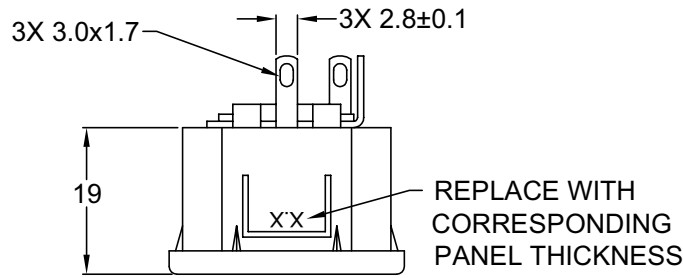
4 = 10A 250V 70°C
2 POLE



3) PANEL THICKNESS



RECOMMENDED PANEL CUTOUT



P/N	A	MAX. PANEL THICKNESS
42R33-3X2X-150	1.5	1.5
42R33-3X2X-200	2.0	2.0
42R33-3X2X-250	2.5	2.5

ADDITIONAL PANEL THICKNESS AVAILABLE ON REQUEST

Power Dynamics, Inc.

Phone: 973 560-0019 Whippany, New Jersey Fax: 973 560-0076

PART: IEC 60320 SINGLE FUSE HOLDER APPL.
INLET; SOLDER TERMINALS; SNAP-IN

42R33-3X2X-XXX

SHEET 1 of 1

TOLERANCE UNLESS OTHERWISE SPECIFIED		
X	±	1
X.X	±	0.4
X.XX	±	0.20

DRAWN BY	GQ	DATE:	09/12/01
CHECK BY	TD	DATE:	09/12/01
APPR BY	PB	DATE:	09/12/01

SCALE: NTS ALL DIMENSIONS FOR REFERENCE ONLY DIMENSIONS ARE IN MILLIMETERS

REV:

Distributed by Electro-Stock, Inc. sales@electrostock.com
630-682-1542 Fax 630-682-1562 http://www.electrostock.com

REVISIONS	CHNG	CHK	APPR
REV	DATE	CHANGE	