

MATERIAL AND FINISH

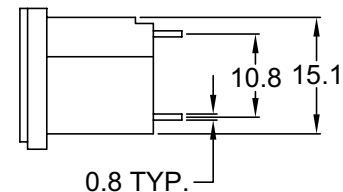
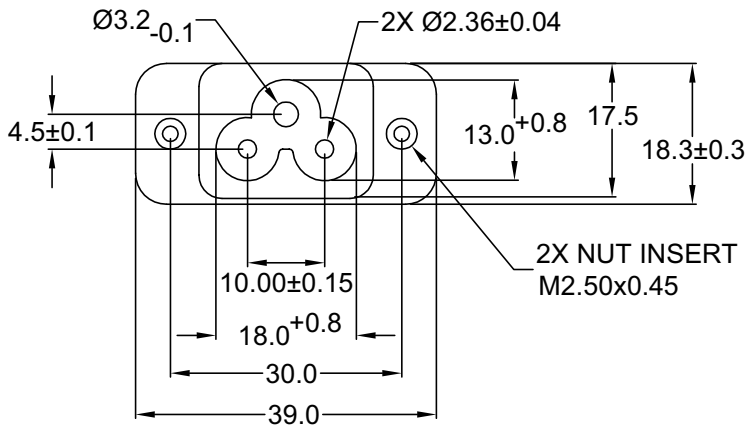
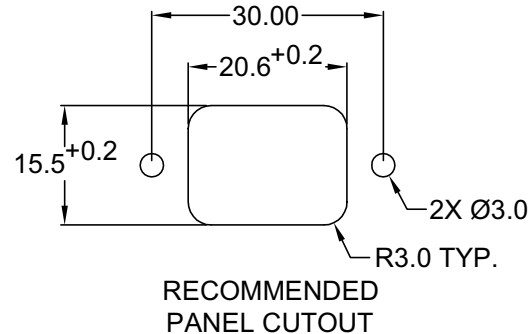
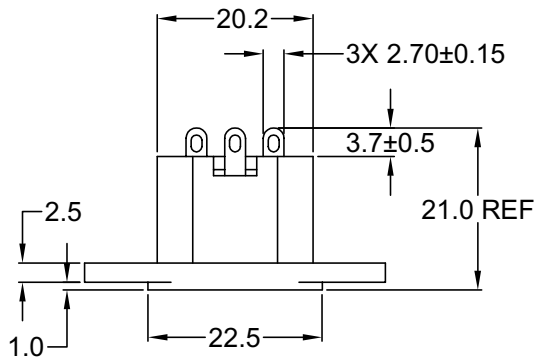
Insulator: Glass filled Thermoplastic, color black, UL-94V-0
Contacts: Bronze, Nickel plated

ELECTRICAL SPECIFICATIONS:

Rated current: 2.5A
Rated voltage: 250VAC



Insulation resistance: 100 Mohm min. @ 500VDC
Dielectric withstanding voltage: 2000VAC for one minute



REV	DATE	CHANGE	CHNG		CHK		APPR	
			TD	SS	TD	SS	PB	PB
			REV'D TOL. PER IEC 60320	REVISED / UPDATED	GQ	TD	PB	PB
			A	B	11/09/01			

Distributed by Electro-Stock, Inc. sales@electrostock.com
630-682-1542 Fax 630-682-1562 http://www.electrostock.com

TOLERANCE UNLESS OTHERWISE SPECIFIED	
X	± 1
X.X	± 0.4
X.XX	± 0.20
DRAWN BY	SS
DATE:	03/02/00
CHECK BY	PB
DATE:	3/2/00
APPR BY	TD
DATE:	3/2/00

Power Dynamics, Inc.
Phone: 973 560-0019 Whippany, New Jersey Fax: 973 560-0076

PART: MNIATURE IEC 60320 C6 APPL. INLET; FLUSH
FLANGE MOUNT, SOLDER TERMINALS

42R51-5131

SIZE: A SCALE: NTS

ALL DIMENSIONS FOR REFERENCE ONLY
DIMENSIONS ARE IN MILLIMETERS

SHEET 1 of 1
REV: B