

6

5

4

3

2

1

MATERIAL AND FINISH

Insulator: PBT, color black, UL-94V-0 rated
Contacts: Brass, Nickel plated

ELECTRICAL SPECIFICATIONS:

Current rating: 10 A

Voltage rating: 250 VAC



Current rating: 15 A

Voltage rating: 250 VAC

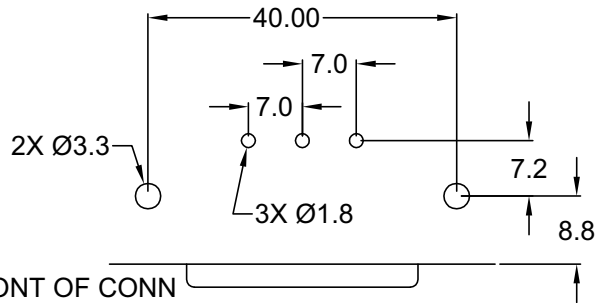
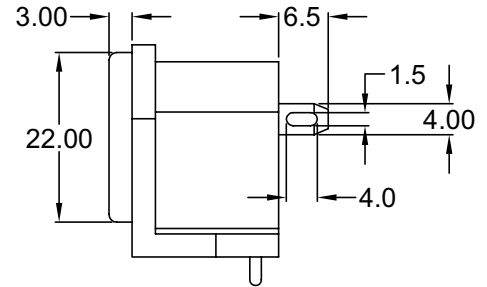
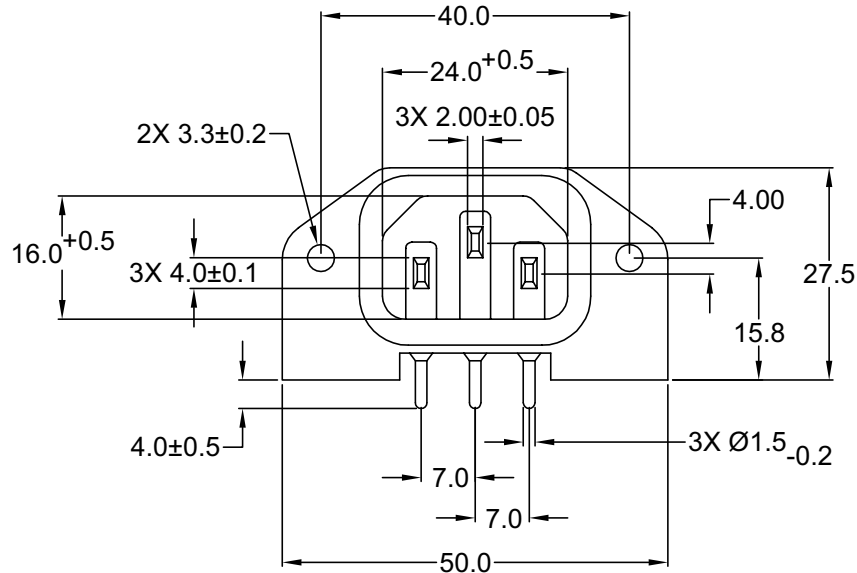


Insulation resistance: 100 Mohm min. at 500 VDC

Dielectric withstanding voltage: 2000 VAC for one minute

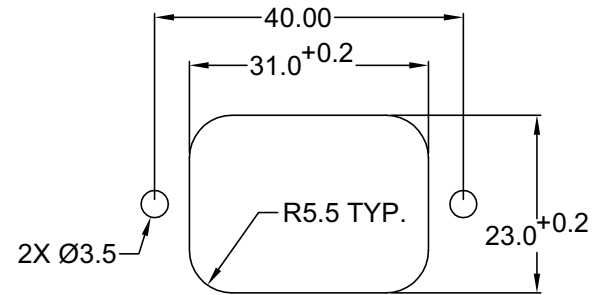
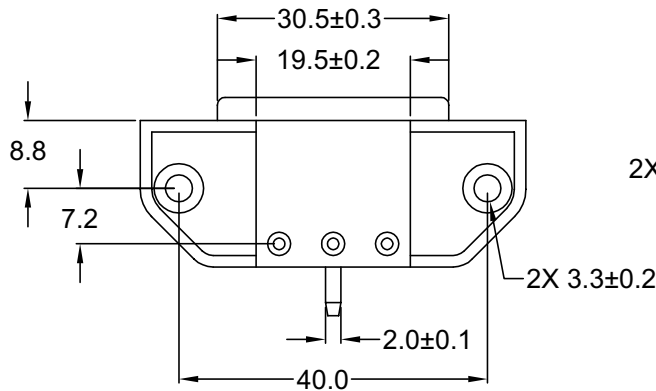
MECHANICAL SPECIFICATIONS:

Recommended screw size: Metric screw with Ø3.30mm or #6-32 US



FRONT OF CONN

RECOMMENDED PCB LAYOUT (TOP VIEW)



RECOMMENDED PANEL CUTOUT

Distributed by Electro-Stock, Inc. sales@electrostock.com
630-682-1542 Fax 630-682-1562 http://www.electrostock.com

REVISIONS

REV	DATE	CHANGE	CHNG	CHK	APPR
A	04/06/00	REVISED & REDRAWN	SS	PB	TD
B	4/13/00	REVISED & UPDATED	TD	JJ	PB
C	12/13/00	Revise mounting hole dia.	JJ	TD	SS
D	9/27/01	REMEDD SCREW SIZE	TD	PB	PB
E	11/26/01	REVISED / UPDATED	GQ	TD	PB

TOLERANCE UNLESS OTHERWISE SPECIFIED	
X	± 1
X.X	± 0.4
X.XX	± 0.20

DRAWN BY	SS	DATE:	12/10/98
CHECK BY	AH	DATE:	12/10/98
APPR BY	SS	DATE:	12/10/98

Power Dynamics, Inc.

Phone: 973 560-0019 Whippany, New Jersey Fax: 973 560-0076

PART: IEC 60320 C14 APPL. INLET; PCB TERMINALS,
7.2mm FOOTPRINT, SIDE FLANGE

PART #: 42R65		SHEET 1 of 1
SIZE: A	ALL DIMENSIONS FOR REFERENCE ONLY DIMENSIONS ARE IN MILLIMETERS	
SCALE: NTS	REV: E	

6

5

4

3

2

1