

6

5

4

3

2

1

MATERIAL AND FINISH

Insulator: Polycarbonate, UL-94V-0 rated
Contacts: Brass, Nickel plated

Distributed by Electro-Stock, Inc. sales@electrostock.com
630-682-1542 Fax 630-682-1562 http://www.electrostock.com

ELECTRICAL SPECIFICATIONS:

Current rating: 10 A
Voltage rating: 250 VAC

ORDERING CODE:

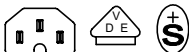
43R01- $\frac{1}{1}$ $\frac{1}{2}$

1) ELECTRICAL CIRCUIT CONFIGURATION

1 = 10A 250V 70°C
A DIN 49 457

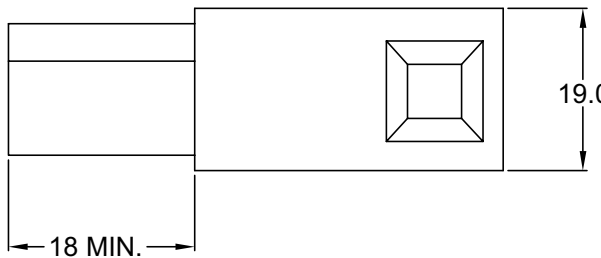
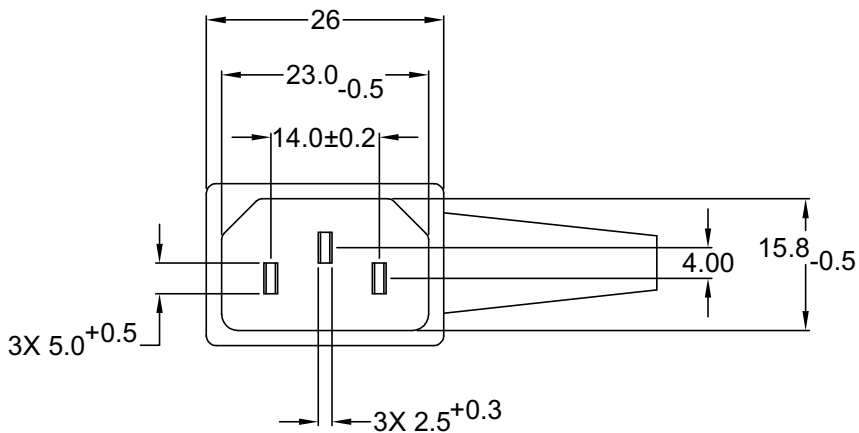
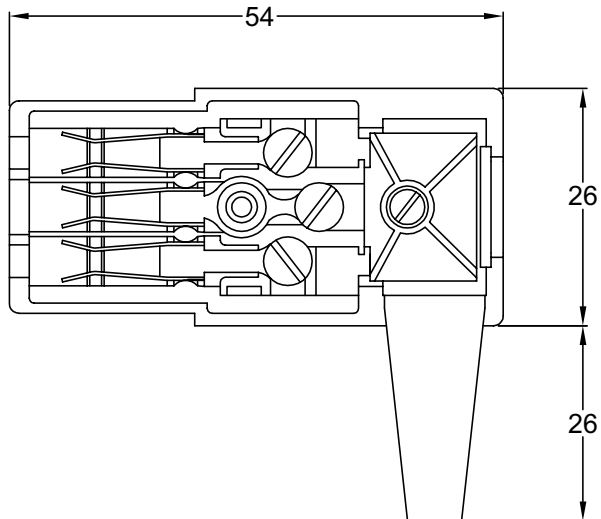


2 = 10A 250V 120°C
D DIN 49 458



2) COLOR

1 = BLACK
2 = GRAY



NOTE:

Contains integral cable clamp strain relief & internal screw type connections. Maximum wire gauge is 16AWG stranded.

REV	DATE	CHNG	CHECK	APPR

TOLERANCE UNLESS OTHERWISE SPECIFIED			
X	± 1		
X.X	± 0.4		
X.XX	± 0.20		
DRAWN BY	GQ	DATE:	08/20/01
CHECK BY	TD	DATE:	08/22/01
APPR BY	PB	DATE:	08/22/01

Power Dynamics, Inc.

Phone: 973 560-0019 Whippany, New Jersey Fax: 973 560-0076

PART: IEC 60320 C13 FEMALE POWER CORD PLUG
R/A LEFT HANDED CONNECTION

PART #: **43R01-X1X1**

SHEET
1 of 1

SIZE: A
SCALE: NTS
ALL DIMENSIONS FOR REFERENCE ONLY
DIMENSIONS ARE IN MILLIMETERS

REV:

6

5

4

3

2

1