

6 5 4 3 2 1


MATERIAL AND FINISH
 Insulator: Polycarbonate, UL-94V-0 rated
 Contacts: Brass, Nickel plated


Distributed by Electro-Stock, Inc. sales@electrostock.com
 630-682-1542 Fax 630-682-1562 http://www.electrostock.com

ELECTRICAL SPECIFICATIONS:
 Current rating: 10 A
 Voltage rating: 250 VAC

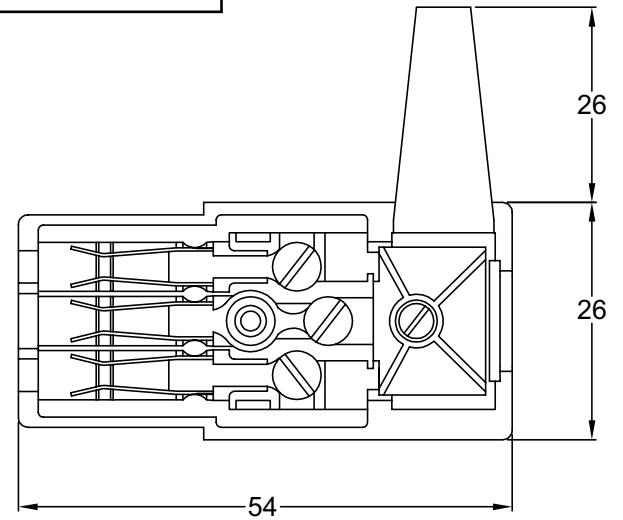
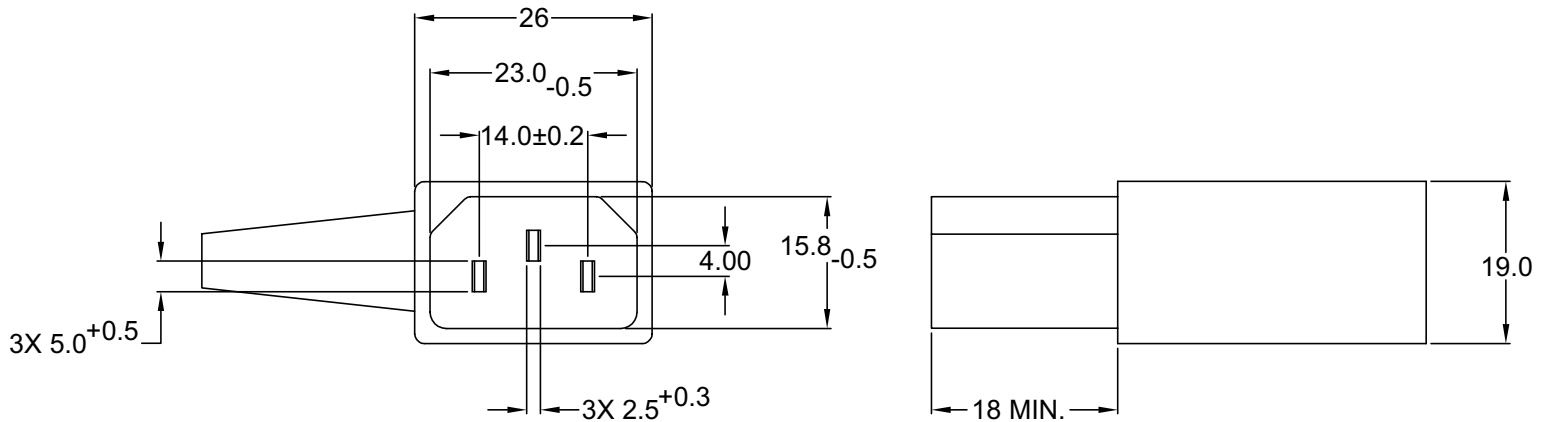
ORDERING CODE:
 43R01- $\frac{2}{1}$ $\frac{1}{2}$

1) ELECTRICAL CIRCUIT CONFIGURATION

1 = 10A 250V 70°C
 A DIN 49 457 

2 = 10A 250V 120°C
 D DIN 49 458 

2) COLOR
 1 = BLACK
 2 = GRAY

NOTE:
 Contains integral cable clamp strain relief & internal screw type connections. Maximum wire gauge is 16AWG stranded.

REVISIONS
 CHANGE
 DATE
 APPR

TOLERANCE UNLESS OTHERWISE SPECIFIED		
X	±	1
X.X	±	0.4
X.XX	±	0.20
DRAWN BY	GQ	DATE: 08/20/01
CHECK BY	TD	DATE: 08/22/01
APPR BY	PB	DATE: 08/22/01

Power Dynamics, Inc.
 Phone: 973 560-0019 Whippany, New Jersey Fax: 973 560-0076

PART: IEC 60320 C13 FEMALE POWER CORD PLUG
 R/A RIGHT HANDED CONNECTION

43R01-X2X1

SIZE: A
 SCALE: NTS

ALL DIMENSIONS FOR REFERENCE ONLY
 DIMENSIONS ARE IN MILLIMETERS

SHEET 1 of 1
 REV:

6 5 4 3 2 1