

6

5

4

3

2

1

MATERIAL AND FINISH

Insulator: Polycarbonate, UL-94V-0 rated
 Contacts: Brass
 Screw: Brass, Nickel Plated over Copper
 Nut: Brass, Nickel Plated

ELECTRICAL SPECIFICATIONS:

Current rating: 10 A/15 A
 Voltage rating: 250 VAC
 Insulation resistance: 100 Mohm min. at 500 VDC
 Dielectric withstanding voltage: 2000 VAC for one minute

ORDERING CODE:

43R02-1 $\frac{1}{1}$ $\frac{1}{2}$

- 1) COLOR
 1 = BLACK
 2 = GRAY

2) ELECTRICAL CIRCUIT CONFIGURATION

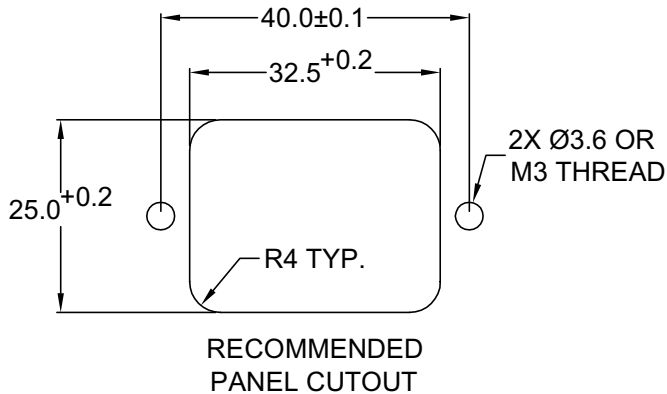
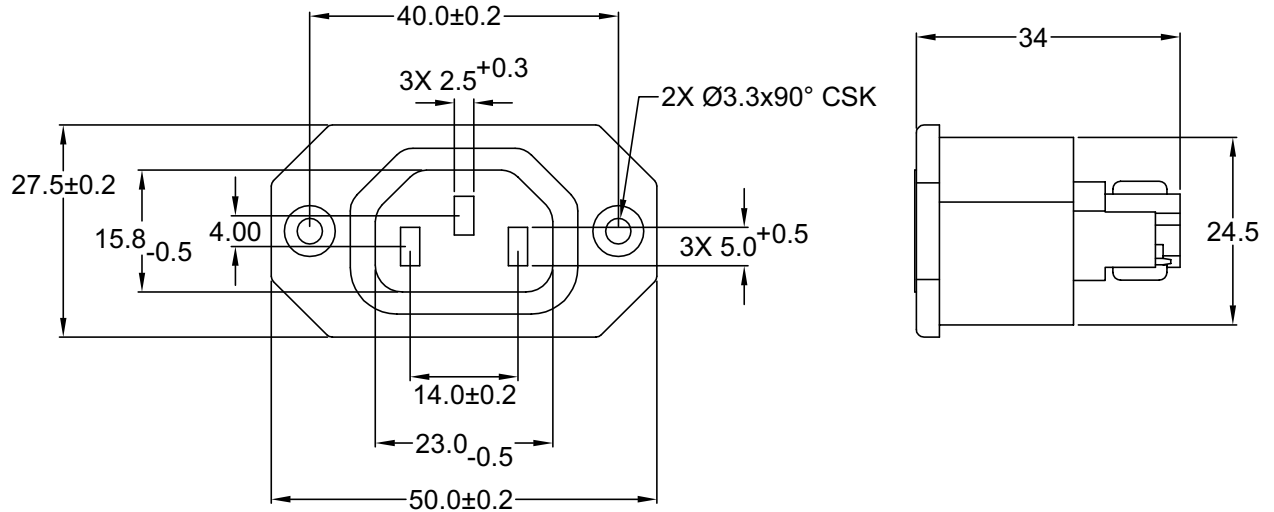
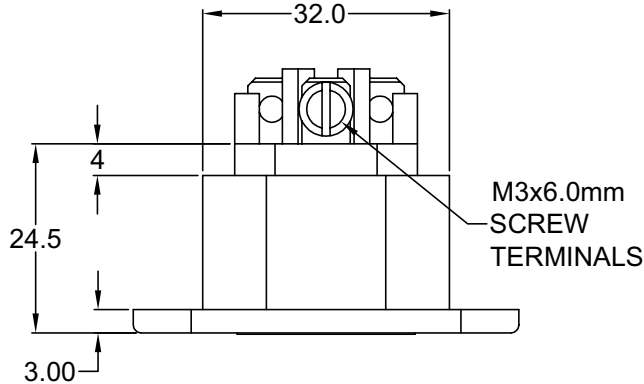
1 = 10A 250V 70°C



15A 250V 70°C
 2+GROUND



2 = 10A 250V 120°C
 15A 250V 120°C
 2+GROUND



Distributed by Electro-Stock, Inc. sales@electrostock.com
 630-682-1542 Fax 630-682-1562 http://www.electrostock.com

TOLERANCE UNLESS OTHERWISE SPECIFIED	
X	± 1
X.X	± 0.4
X.XX	± 0.20
DRAWN BY	GQ
CHECK BY	TD
APPR BY	PB
DATE:	10/04/01
DATE:	10/09/01
DATE:	10/09/01

Power Dynamics, Inc.
 Phone: 973 560-0019 Whippany, New Jersey Fax: 973 560-0076

PART: 10A/15A IEC 60320 APPL. OUTLET; SCREW TERMINALS; SIDE FLANGE, PANEL MOUNT

PART #: **43R02-1X1X** SHEET 1 of 1

SIZE: A ALL DIMENSIONS FOR REFERENCE ONLY
 SCALE: NTS DIMENSIONS ARE IN MILLIMETERS REV:

D

C

B

A

6

5

4

3

2

1

REV	DATE	CHNG	CHECK	APPR