

6

5

4

3

2

1

MATERIAL AND FINISH

Insulator: Polycarbonate, UL-94V-0 rated
Contacts: Brass
Screw: Brass, Nickel Plated over Copper
Nut: Brass, Nickel Plated

ELECTRICAL SPECIFICATIONS:

Current rating: 10 A/15 A
Voltage rating: 250 VAC
Insulation resistance: 100 Mohm min. at 500 VDC
Dielectric withstanding voltage: 2000 VAC for one minute

ORDERING CODE:

43R02-2 $\frac{1}{1}$ $\frac{1}{2}$

- 1) COLOR
1 = BLACK
2 = GRAY

2) ELECTRICAL CIRCUIT CONFIGURATION

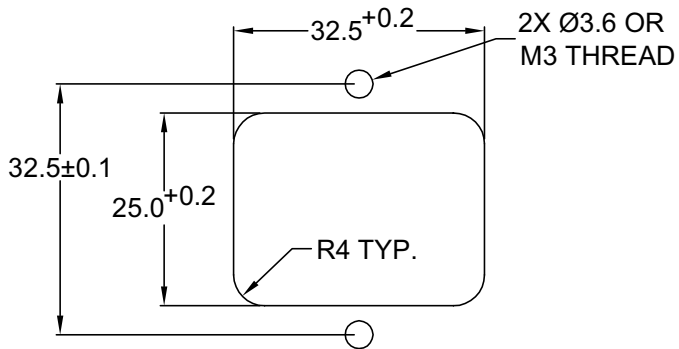
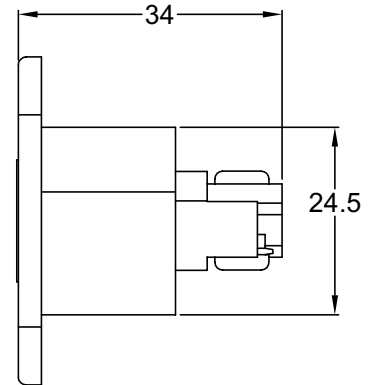
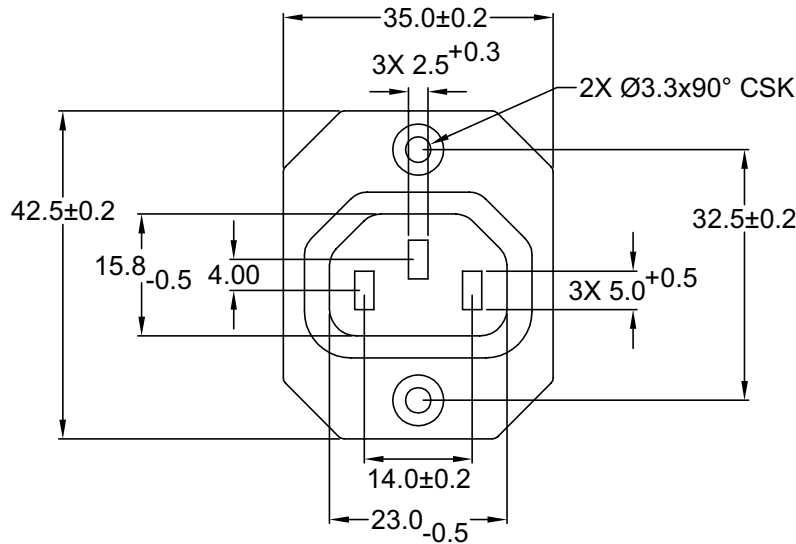
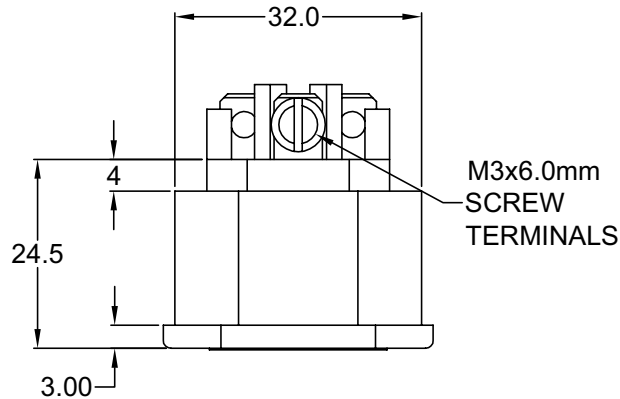
1 = 10A 250V 70°C



15A 250V 70°C
2+GROUND



2 = 10A 250V 120°C
15A 250V 120°C
2+GROUND



RECOMMENDED PANEL CUTOUT

Distributed by Electro-Stock, Inc. sales@electrostock.com
630-682-1542 Fax 630-682-1562 http://www.electrostock.com

TOLERANCE UNLESS OTHERWISE SPECIFIED	
X	± 1
X.X	± 0.4
X.XX	± 0.20
DRAWN BY	GQ
DATE:	10/04/01
CHECK BY	TD
DATE:	10/10/01
APPR BY	PB
DATE:	10/10/01

Power Dynamics, Inc.

Phone: 973 560-0019 Whippany, New Jersey Fax: 973 560-0076

PART: 10A/15A IEC 60320 APPL. OUTLET; SCREW
TERMINALS; CROSS FLANGE, PANEL MOUNT

PART #: 43R02-2X1X		SHEET 1 of 1
SIZE: A	ALL DIMENSIONS FOR REFERENCE ONLY DIMENSIONS ARE IN MILLIMETERS	REV:
SCALE: NTS		

D

C

B

A

6

5

4

3

2

1

REV	DATE	CHANGE	CHNG	CHK	APPR