

6

5

4

3

2

1

MATERIAL AND FINISH

Insulator: Polycarbonate, UL-94V-0 rated
Contacts: Brass
Screw: Brass, Nickel Plated over Copper
Nut: Brass, Nickel Plated

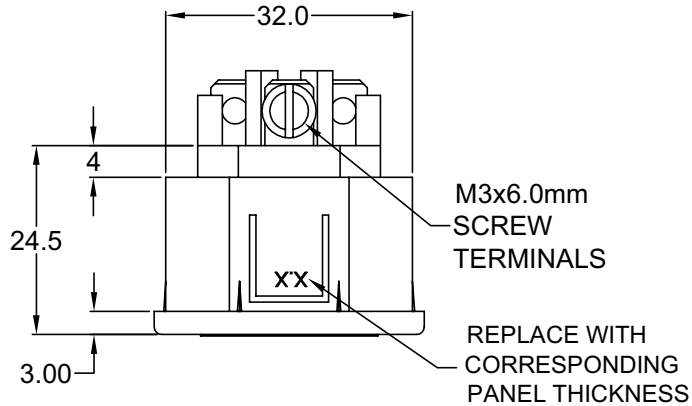
Distributed by Electro-Stock, Inc. sales@electrostock.com
630-682-1542 Fax 630-682-1562 http://www.electrostock.com

ELECTRICAL SPECIFICATIONS:

Current rating: 10 A/15 A
Voltage rating: 250 VAC
Insulation resistance: 100 Mohm min. at 500 VDC
Dielectric withstanding voltage: 2000 VAC for one minute

ORDERING CODE:

43R02-3 1 -
 1 2 3



- 1) COLOR
1 = BLACK
2 = GRAY

2) ELECTRICAL CIRCUIT CONFIGURATION

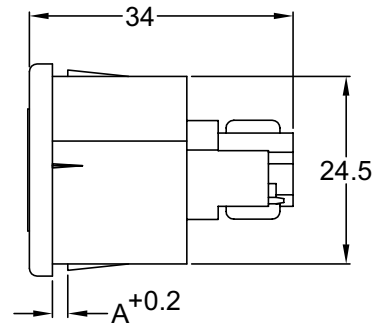
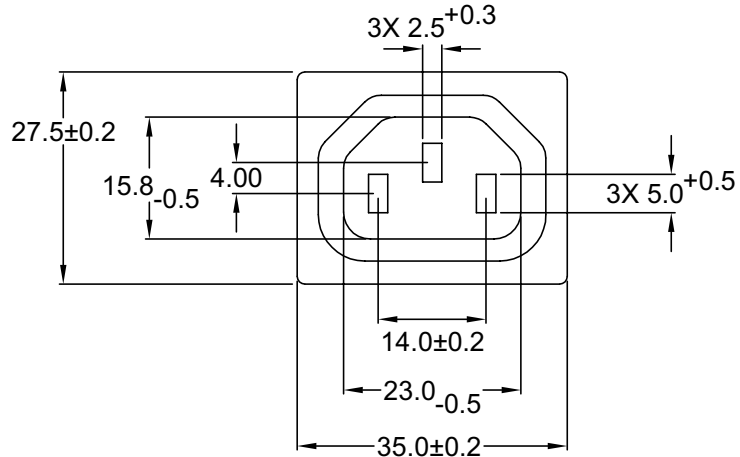
1 = 10A 250V 70°C



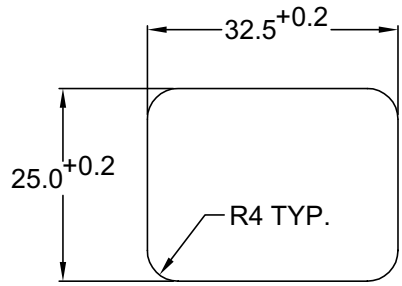
15A 250V 70°C
2+GROUND



2 = 10A 250V 120°C
15A 250V 120°C
2+GROUND



3) PANEL THICKNESS



RECOMMENDED PANEL CUTOUT

P/N	A	MAX. PANEL THICKNESS
43R02-3X1X-150	1.5	1.5
43R02-3X1X-200	2.0	2.0

ADDITIONAL PANEL THICKNESS
AVAILABLE ON REQUEST

TOLERANCE UNLESS OTHERWISE SPECIFIED	
X	± 1
X.X	± 0.4
X.XX	± 0.20

DRAWN BY	GQ	DATE:	10/04/01
CHECK BY	TD	DATE:	10/09/01
APPR BY	PB	DATE:	10/10/01

Power Dynamics, Inc.

Phone: 973 560-0019 Whippany, New Jersey Fax: 973 560-0076

PART: 10A/15A IEC 60320 APPL. OUTLET; SCREW TERMINALS; SNAP-IN, PANEL MOUNT

PART #: 43R02-3X1X-XXX		SHEET 1 of 1
SIZE: A	ALL DIMENSIONS FOR REFERENCE ONLY DIMENSIONS ARE IN MILLIMETERS	
SCALE: NTS	REV:	

D

C

B

A

6

5

4

3

2

1

REV	DATE	CHANGE	CHNG	CHECK	APPR