

6

5

4

3



2

1

MATERIAL AND FINISH

Insulator: Nylon 66, black, UL-94V-0 rated
Contacts: Brass, Tin plated

ELECTRICAL SPECIFICATIONS:

Current rating: 16 A  / 20 A 

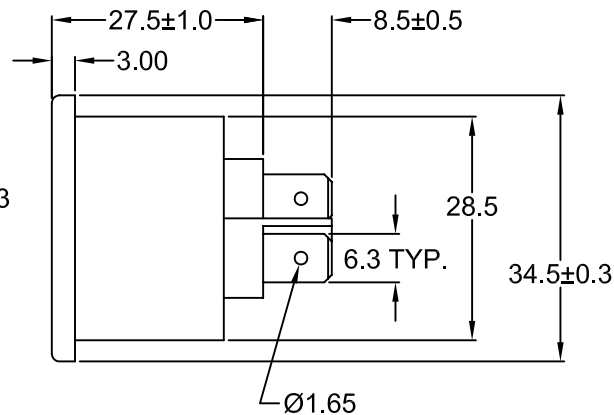
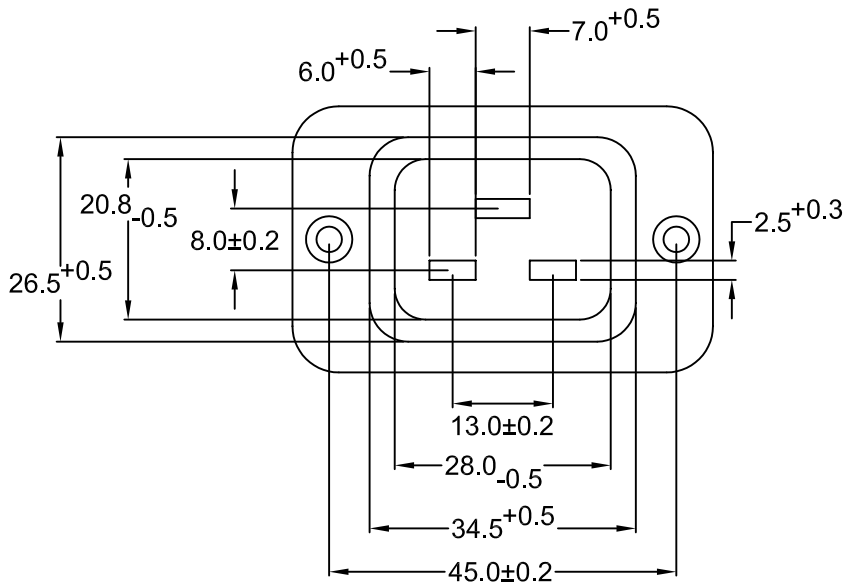
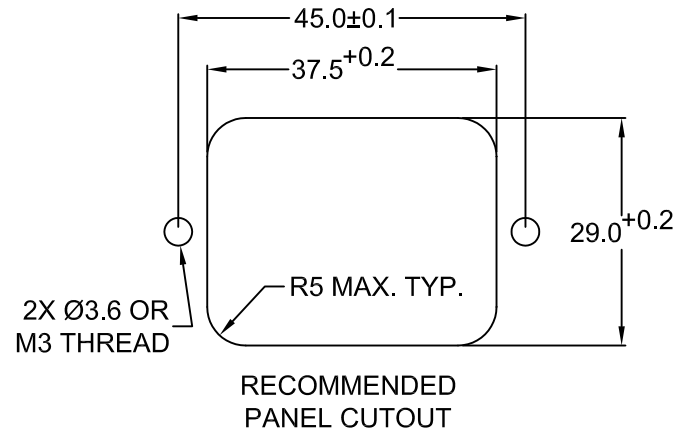
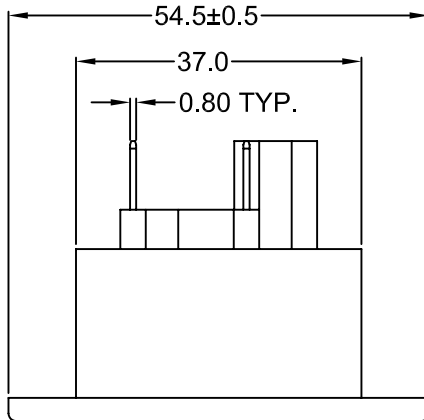
Voltage rating: 250 VAC

Insulation resistance: 100 Mohm min. at 500 VDC

Dielectric withstanding voltage: 2000 VAC for one minute

ENVIRONMENTAL:

Operating temperature: 70°C max.



REVISIONS

REV	DATE	CHANGE	CHNG		CHK		APPR	
			PB	SS	TD	PB	TD	PB
A	5/16/00	UPDATED DRAWING					JJ	TD
B	8/4/00	UPDATED VOLTAGE					JJ	TD
C	10/18/00	REV. D HOLE PER PART					JJ	PB
D	4/19/01	REVISED PART DESC.					PB	PB
E	10/16/01	REVISED / UPDATED					GQ	TD
F	6/8/04	ADD OPERATING T°					TD	PB

TOLERANCE UNLESS OTHERWISE SPECIFIED		
X	±	1
X.X	±	0.4
X.XX	±	0.20

DRAWN BY	SLS	DATE:	03/14/97
CHECK BY	TD	DATE:	05/17/00
APPR BY	JJ	DATE:	05/17/00

Power Dynamics, Inc.
Phone: 973 560-0019 Whippany, New Jersey Fax: 973 560-0076

PART: 16A/20A IEC 60320 APPL. OUTLET; QC
TERMINALS; SIDE FLANGE, PANEL MOUNT

43R07-1121

PART #: 43R07-1121

SIZE: A
SCALE: NTS

ALL DIMENSIONS FOR REFERENCE ONLY
DIMENSIONS ARE IN MILLIMETERS

SHEET 1 of 1
REV: F

6

5

4

3

2

1

6

5

4

3

2

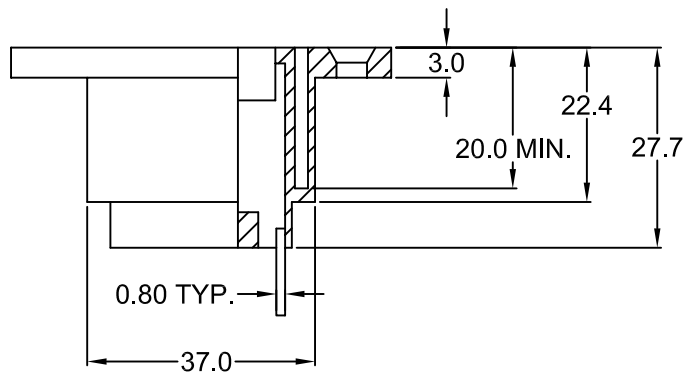
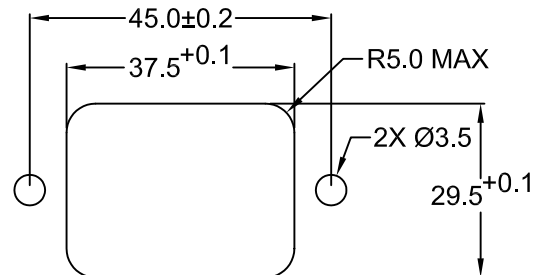
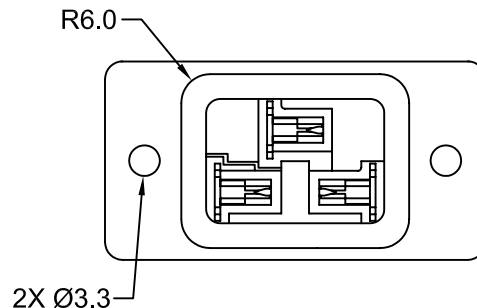
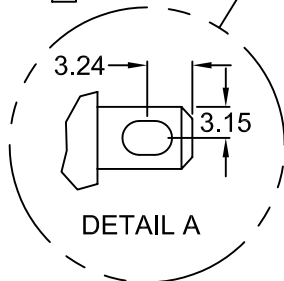
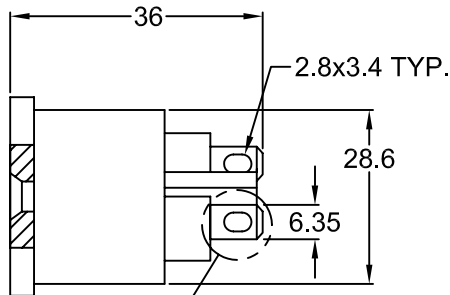
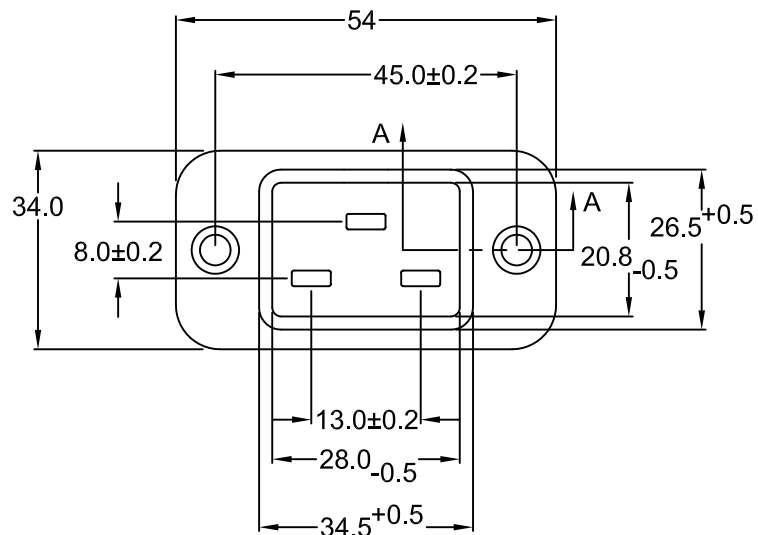
1

MATERIAL AND FINISH:

Insulator: PBT, UL 94V-2 rated. color black.
Contact: Copper alloy, tin plating.

ELECTRICAL SPECIFICATIONS:

Current rating: 16 A
Voltage rating: 250 VAC
Current rating: 20 A
Voltage rating: 250 VAC
Insulation resistance: 100 Megaohm min. at 500 VDC
Dielectric withstanding voltage: 2000 VAC for 1 minute



SECTION A-A

REV	DATE	CHANGE	CHNG CHECK APPR		
			PB	TD	TD
A	4/11/01	UPDATED DRAWING	PB	TD	
B	6/8/01	REVISED TERMINAL	PB	TD	
C	6/11/01	ADD DIMENSIONS	PB	TD	

TOLERANCE UNLESS OTHERWISE SPECIFIED	
X	± 1
X.X	± 0.4
X.XX	± 0.20
DRAWN BY	SLS
DATE:	3/14/97
CHECK BY	TD
DATE:	4/11/01
APPR BY	
DATE:	

Power Dynamics, Inc.
Phone: 973 560-0019 Whippany, New Jersey Fax: 973 560-0076

PART: IEC FEMALE 60320 CONNECTOR
FLANGED; 6.3mm QUICK CONNECT

43R07-1121-OVAL

PART #: 43R07-1121-OVAL

SIZE: A

SCALE: NTS

SHEET 1 of 1

REV: C

ALL DIMENSIONS FOR REFERENCE ONLY
DIMENSIONS ARE IN MILLIMETERS

6

5

4

3

2

1