

MATERIAL AND FINISH

Insulator: Thermoplastic, glass filled, black, UL-94V-0 rated.

Contacts (Ground): Brass, Nickel plated
Solder terminals & Contacts (L & N): Brass, Tin plated.

ELECTRICAL SPECIFICATIONS:

Rated current: 10A

Rated voltage: 250VAC



Rated current: 20A

Rated voltage: 250VAC



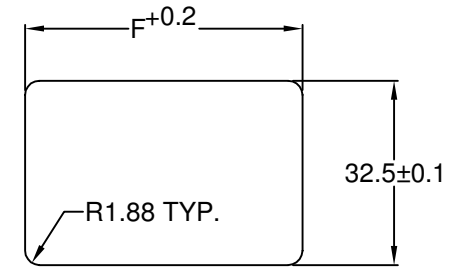
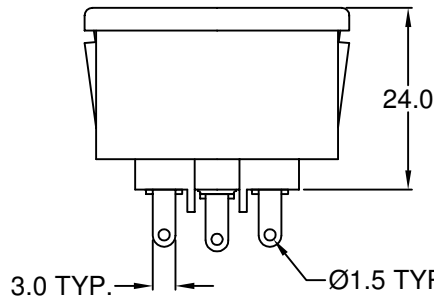
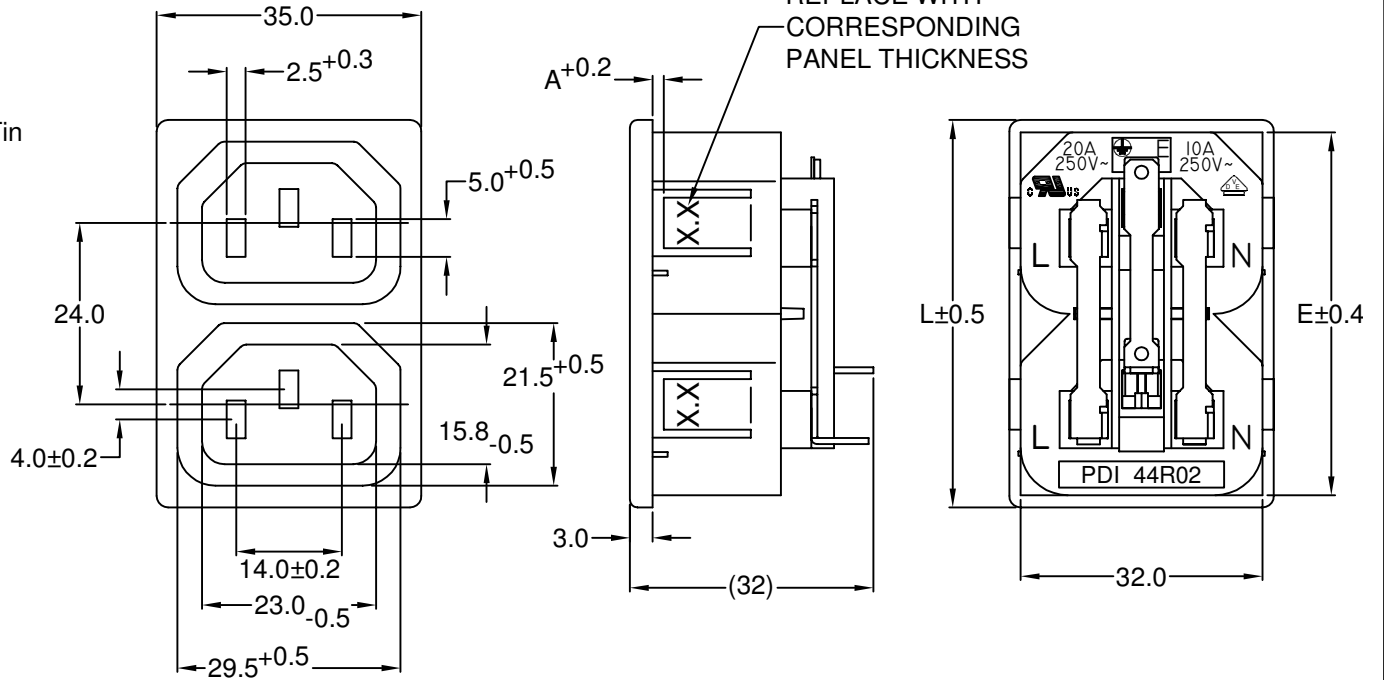
No of Port	L	E	F
2	51.2	48.0	48.3
3	75.4	72.0	72.2
4	99.6	96.0	96.2
5	123.2	120.0	120.3
6	147.2	144.0	144.4
7	171.2	168.0	168.4

ORDERING CODE:

44R02- 111-
 1 2

1) NO OF PORT (SEE CHART ABOVE)

2) PANEL THICKNESS



RECOMMENDED
PANEL CUTOUT

Distributed by Electro-Stock, Inc.
sales@electrostock.com
630-682-1542 Fax 630-682-1562
http://www.electrostock.com

REVISIONS		CHNG	CHK	APPR
REV	DATE	CHNG	CHK	APPR
A	6/2/04	REV'D & UP'D	TD	PB
B	1/24/05	CHNG. CURRENT RATING	PB	PB

P/N	A	MAX. PANEL THICKNESS
44R02-X111-150	1.5	1.5
44R02-X111-250	2.5	2.5

ADDITIONAL PANEL THICKNESS AVAILABLE ON REQUEST; CONTACT PDI FOR 7 PORT

TOLERANCE UNLESS OTHERWISE SPECIFIED	
X	± 1
X.X	± 0.4
X.XX	± 0.20

DRAWN BY: GQ	DATE: 10/25/01
CHECK BY: TD	DATE: 11/06/01
APPR BY: PB	DATE: 11/06/01

Power Dynamics, Inc.
Phone: 973 560-0019 Whippany, New Jersey Fax: 973 560-0076

PART: IEC 60320 C13 STRIP APPL. OUTLET; SNAP-IN, SOLDER TERMINAL WITH Ø1.5 HOLE

PART #: **44R02-X111-XXX**

SIZE: A ALL DIMENSIONS FOR REFERENCE ONLY DIMENSIONS ARE IN MILLIMETERS

SCALE: NTS

SHEET 1 of 1

REV: B