

6

5

4

3

2

1

**MATERIAL AND FINISH:**

Insulator: Nylon 66, black, UL-94V-2 rated

Contacts: Copper Alloy, Tin plated

**MECHANICAL SPECIFICATIONS:**


Insertion force: 5KG max.

Withdrawal force: 1.5KG min.

Life test: 5,000 cycles min. of insertion and withdrawal.

**ELECTRICAL SPECIFICATIONS:**

Rated current: 15A

Rated voltage: 125VAC 

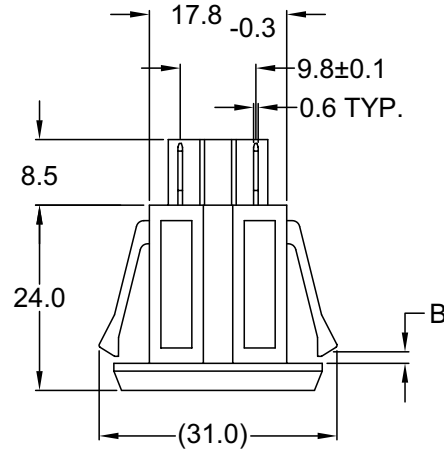
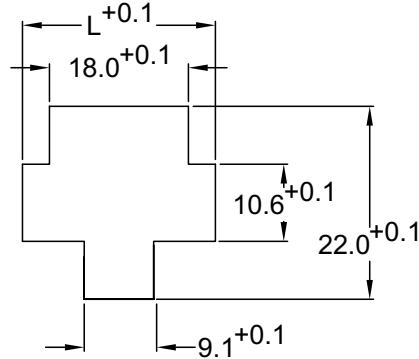
Insulation resistance: 1000 Mohm min. @ 500VDC

Dielectric withstanding voltage:

1500VAC for one minute

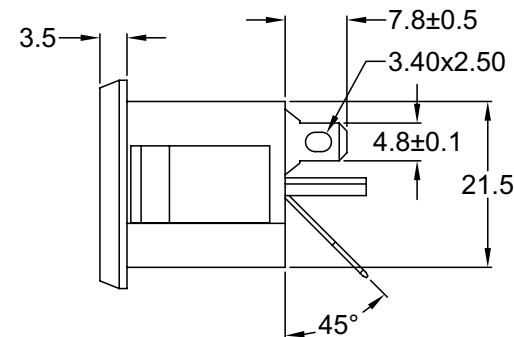
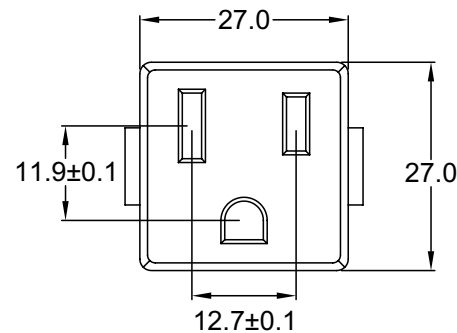
**ENVIRONMENTAL:**

Operating temperature: -45°C ~ +80°C

**RECOMMENDED PANEL CUTOUT**

P/N	B
PD-15-1	1.5
PD-15-12	3.0

PANEL THICKNESS PD-15-1	L
0.8	24.0
1.0	24.0
1.2	24.5
1.6	24.5
2.0	25
2.5	25
PANEL THICKNESS PD-15-12	L
2.5	25.0
3.0	25.5
3.5	28.5



REV	DATE	CHANGE	CHNG CHECK		APPR	
			PB	SS	PB	SS
A	12/22/99	REVISED DRAWING	PB	SS	PB	SS
B	10/31/01	REVISED / UPDATED	QQ	TD	PB	
C	1/17/03	ADD OTTING TEMP.	TD	PB		
D	8/27/03	CHNG PANEL THICKNESS/CUTOUT				

Distributed by Electro-Stock, Inc. sales@electrostock.com  
630-682-1542 Fax 630-682-1562 http://www.electrostock.com

**TOLERANCE**  
UNLESS OTHERWISE SPECIFIED

X ± 1  
X.X ± 0.4  
X.XX ± 0.20

**Power Dynamics, Inc.**

Phone: 973 560-0019 Whippany, New Jersey Fax: 973 560-0076

PART: NORTH AMERICAN NEMA 5-15R; SINGLE  
SOCKET, QC CONNECT TERMINAL

DRAWN BY	SLS	DATE:	8/12/98
CHECK BY	JD	DATE:	8/12/98
APPR BY	SLS	DATE:	2/18/99

PART #: PD-15-1X		SHEET 1 of 1
SIZE: A	ALL DIMENSIONS FOR REFERENCE ONLY DIMENSIONS ARE IN MILLIMETERS	REV: D
SCALE: NTS		