

6

5

4

3

2

1

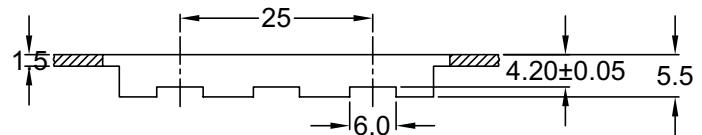
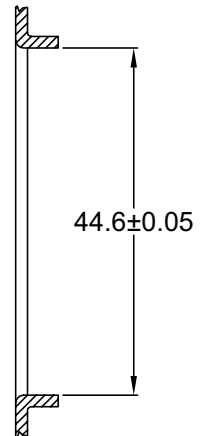
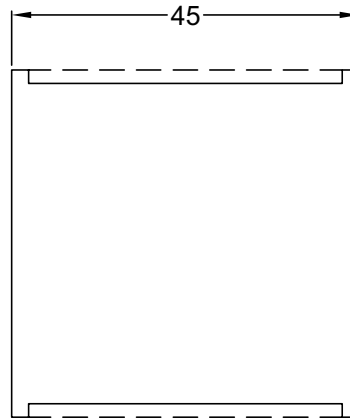
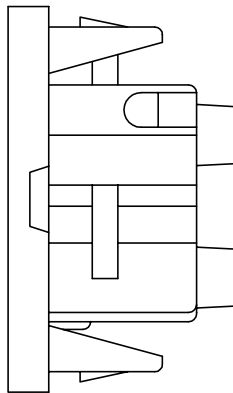
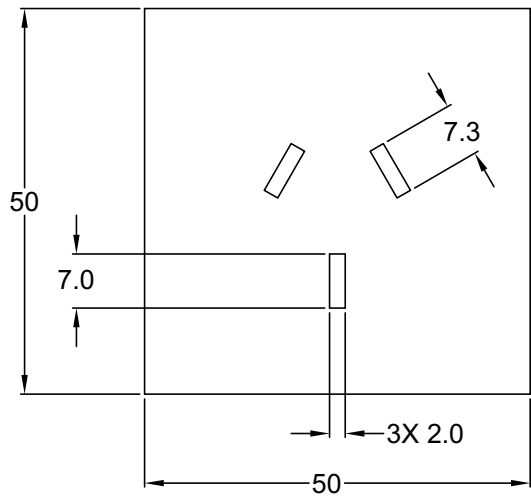
MATERIAL AND FINISH

Insulator: PC (Polycarbonate), color white, UL-94V-0 rated
Contacts: Brass, Nickel Plated

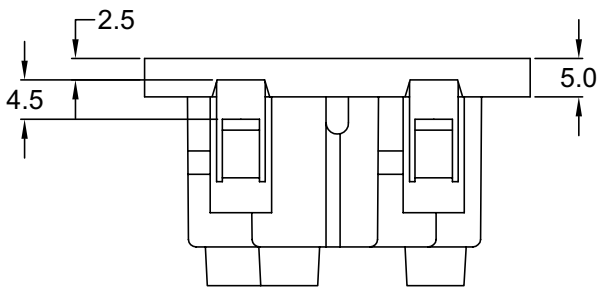
Distributed by Electro-Stock, Inc. sales@electrostock.com
630-682-1542 Fax 630-682-1562 http://www.electrostock.com

ELECTRICAL SPECIFICATIONS:

Rated current: 10A
Rated voltage: 240VAC
Insulation resistance: 100 Mohm min. at 500VDC
Dielectric withstanding voltage: 2000VAC for one minute



RECOMMENDED
PANEL CUTOUT



REVISIONS	CHNG	CHECK	APPR
	CHANGE		
	DATE		
	REV		

TOLERANCE UNLESS OTHERWISE SPECIFIED		
X	±	1
X.X	±	0.4
X.XX	±	0.20
DRAWN BY	GQ	DATE: 11/06/01
CHECK BY	TD	DATE: 11/13/01
APPR BY	PB	DATE: 11/13/01

Power Dynamics, Inc.		
Phone: 973 560-0019 Whippany, New Jersey Fax: 973 560-0076		
PART: AS 3112 AUTRALIAN/NEW ZEALAND SQUARE RECEPTACLE		
PART #: PD-16AU		SHEET 1 of 1
SIZE: A	ALL DIMENSIONS FOR REFERENCE ONLY DIMENSIONS ARE IN MILLIMETERS	
SCALE: NTS	REV:	

6

5

4

3

2

1