

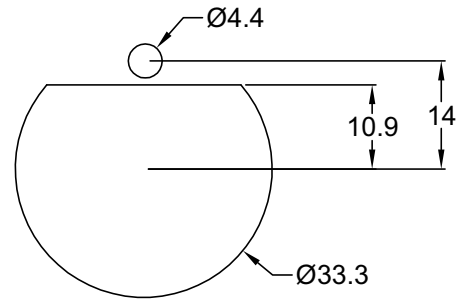
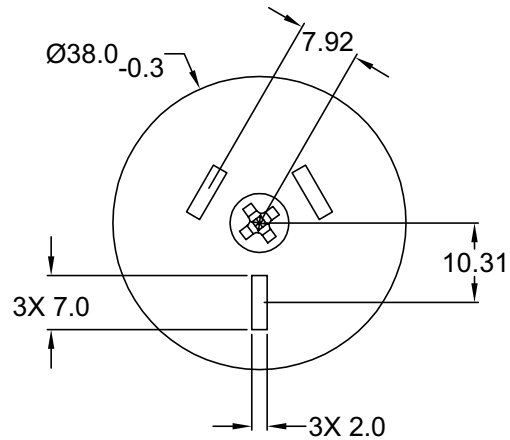
MATERIAL AND FINISH

Insulator: PC (Polycarbonate), color white, UL-94V-0 rated
Contacts: Brass, Nickel plated

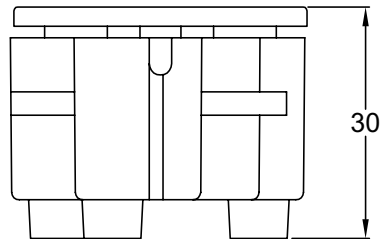
Distributed by Electro-Stock, Inc. sales@electrostock.com
630-682-1542 Fax 630-682-1562 http://www.electrostock.com

ELECTRICAL SPECIFICATIONS:

Rated current: 10A
Rated voltage: 240VAC
Insulation resistance: 100 Mohm min. at 500VDC
Dielectric withstanding voltage: 2000VAC for one minute



RECOMMENDED
PANEL CUTOUT



REV	DATE	CHANGE	CHNG	CHECK	APPR

REVISIONS

TOLERANCE UNLESS OTHERWISE SPECIFIED			
X	± 1		
X.X	± 0.4		
X.XX	± 0.20		
DRAWN BY	GQ	DATE:	11/06/01
CHECK BY	TD	DATE:	11/13/01
APPR BY	PB	DATE:	11/13/01

Power Dynamics, Inc.

Phone: 973 560-0019 Whippany, New Jersey Fax: 973 560-0076

PART: AS 3112 AUSTRALIAN / NEW ZEALAND
ROUND RECEPTACLE

PART #: **PD-16AU-1** SHEET 1 of 1

SIZE: A ALL DIMENSIONS FOR REFERENCE ONLY
SCALE: NTS DIMENSIONS ARE IN MILLIMETERS REV: