

6

5

4

3

2

1

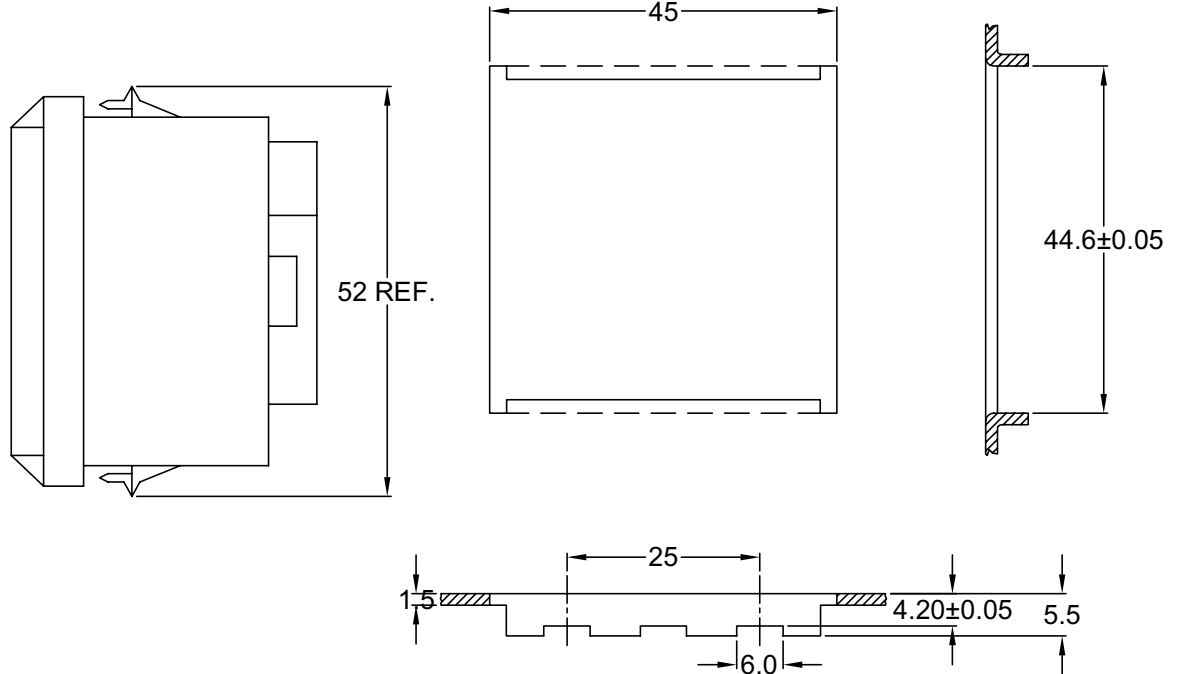
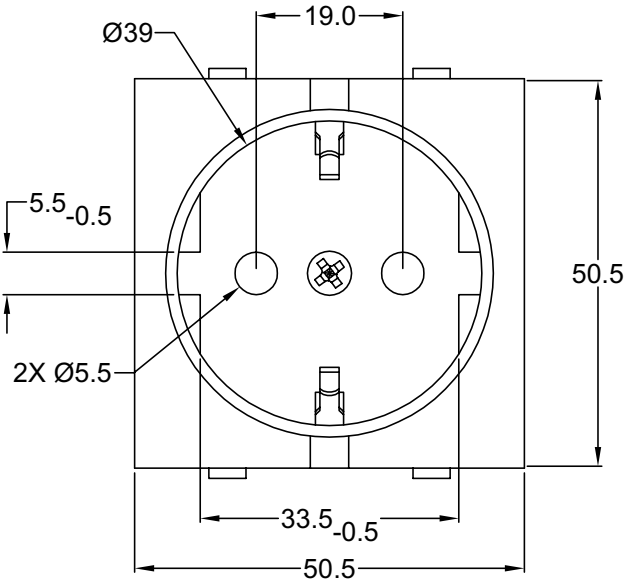
MATERIAL AND FINISH

Insulator: Nylon 66, UL-94V-0 rated
Contacts: Brass, Nickel plated

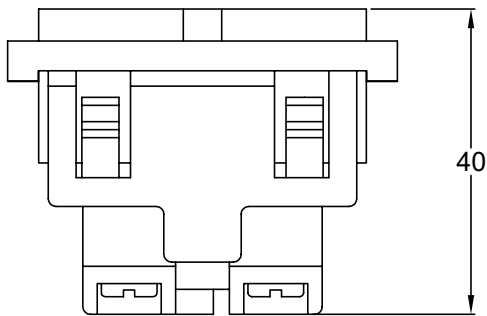
Distributed by Electro-Stock, Inc. sales@electrostock.com
630-682-1542 Fax 630-682-1562 http://www.electrostock.com

ELECTRICAL SPECIFICATIONS:

Rated current: 10A~16A
Rated voltage: 250VAC
Insulation resistance: 100 Mohm min. at 500VDC
Dielectric withstanding voltage: 2000VAC for one minute



RECOMMENDED
PANEL CUTOUT



REVISIONS	CHNG	CHECK	APPR
	DATE	CHANGE	

TOLERANCE UNLESS OTHERWISE SPECIFIED			Power Dynamics, Inc.	
X ± 1 X.X ± 0.4 X.XX ± 0.20			Phone: 973 560-0019 Whippany, New Jersey Fax: 973 560-0076	
DRAWN BY TD			PART: CEE 7/7 CONTINENTAL EUROPEAN RECEPTACLE 10A~16A 250VAC	
CHECK BY PAD			PART #: PD-16EU	
APPR BY SS			SHEET 1 of 1	
DATE: 06/09/99	DATE: 06/09/99	DATE: 06/09/99	SIZE: A	ALL DIMENSIONS FOR REFERENCE ONLY DIMENSIONS ARE IN MILLIMETERS
			SCALE: NTS	REV: -

6

5

4

3

2

1