

6

5

4

3

2

1

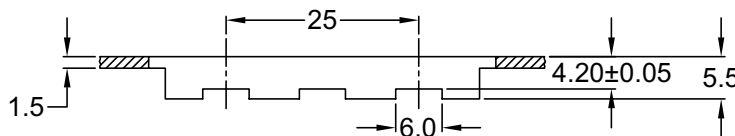
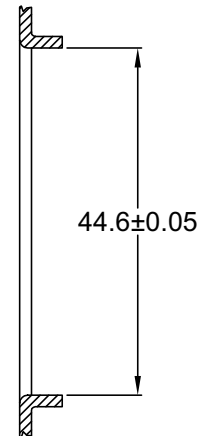
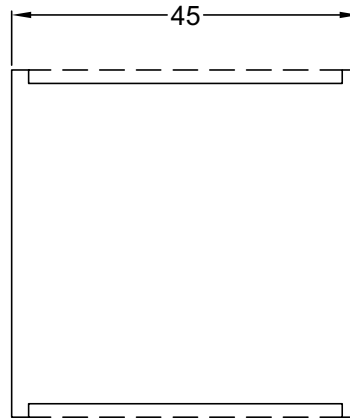
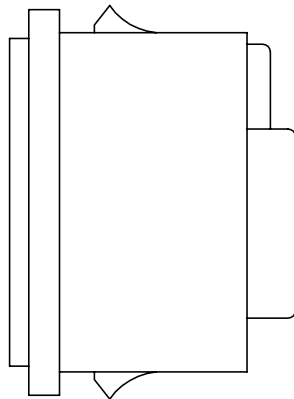
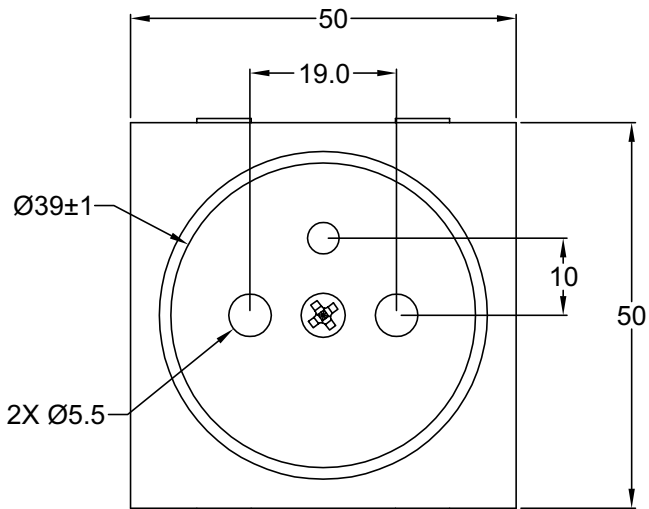
MATERIAL AND FINISH

Insulator: Nylon 66, UL-94V-0 rated
Contacts: Brass, Nickel plated

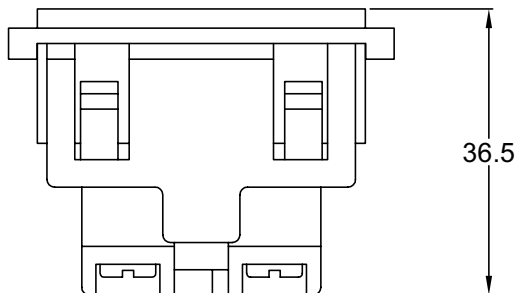
Distributed by Electro-Stock, Inc. sales@electrostock.com
630-682-1542 Fax 630-682-1562 http://www.electrostock.com

ELECTRICAL SPECIFICATIONS:

Rated current: 10A~16A
Rated voltage: 250VAC
Insulation resistance: 100 Mohm min. at 500VDC
Dielectric withstanding voltage: 2000VAC for one minute



RECOMMENDED
PANEL CUTOUT



REVISIONS	REV	DATE	CHANGE	CHNG	CHK	APPR
	-	10/10/00	RELEASED	TD	JJ	SS

TOLERANCE UNLESS OTHERWISE SPECIFIED			Power Dynamics, Inc.		
X ± 1 X.X ± 0.4 X.XX ± 0.20			Phone: 973 560-0019 Whippany, New Jersey Fax: 973 560-0076		
DRAWN BY TD DATE: 06/09/99			PART: CEE7-VII FRANCE/BELGIUM RECEPTACLE 10A~16A 250VAC		
CHECK BY PAD DATE: 06/09/99			PART #: PD-16F		SHEET 1 of 1
APPR BY SS DATE: 06/09/99			SIZE: A	ALL DIMENSIONS FOR REFERENCE ONLY DIMENSIONS ARE IN MILLIMETERS	
			SCALE: NTS	REV: -	

6

5

4

3

2

1