

6

5

4

3

2

1


### MATERIAL AND FINISH

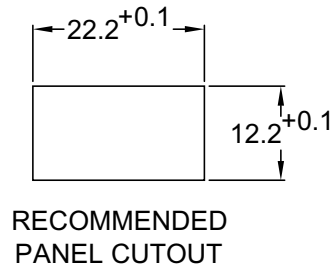
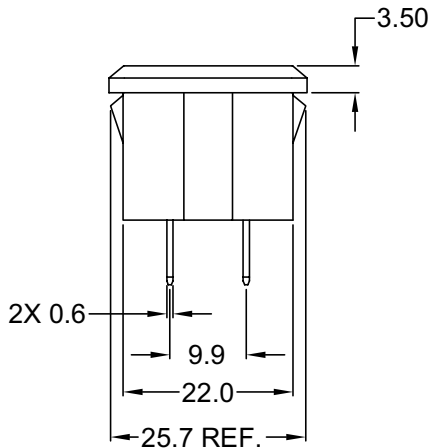
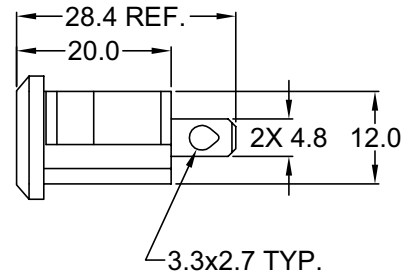
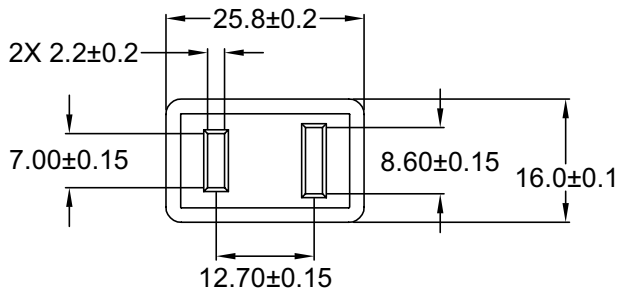
Housing: Nylon 66, black, UL-94V-0 rated  
Contacts: Bronze, Nickel plated

### MECHANICAL SPECIFICATIONS:

Insertion force: 5KG max.  
Withdrawal force: 1.5KG min.  
Life test: 5,000 cycles min. of insertion and withdrawal

### ELECTRICAL SPECIFICATIONS:

Rated current: 15A  
Rated voltage: 125VAC   
Insulation resistance: 1000 Mohm min. @ 500VDC  
Dielectric withstanding voltage: 1500VAC for one minute  
Contact resistance: 30 mohm max.



Distributed by Electro-Stock, Inc. sales@electrostock.com  
630-682-1542 Fax 630-682-1562 http://www.electrostock.com

REVISIONS

REV	DATE	CHANGE	CHNG	CHK	APPR
A	10/31/01	REVISED / UPDATED	GQ	TD	PB

TOLERANCE UNLESS OTHERWISE SPECIFIED	
X	± 1
X.X	± 0.4
X.XX	± 0.20

DRAWN BY	GQ	DATE:	07/26/01
CHECK BY	PB	DATE:	07/26/01
APPR BY		DATE:	

**Power Dynamics, Inc.**  
Phone: 973 560-0019 Whippany, New Jersey Fax: 973 560-0076

PART: NEMA 1-15 RECEPTACLE  
15A/125VAC

**PD-1-15**

SIZE: A  
SCALE: NTS

ALL DIMENSIONS FOR REFERENCE ONLY  
DIMENSIONS ARE IN MILLIMETERS

SHEET 1 of 1  
REV: A

6

5

4

3

2

1