

6

5

4

3

2

1

MATERIAL AND FINISH

Insulator: Nylon, color black, UL-94V-2 rated
 Contacts: Bronze, Nickel plated
 Terminals: Bronze, Tin plated

ELECTRICAL SPECIFICATIONS:

Current rating: 10 A



Voltage rating: 250 VAC



Current rating: 15 A

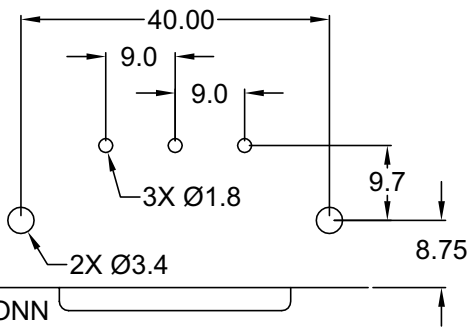
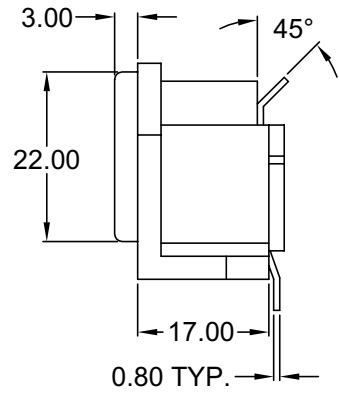
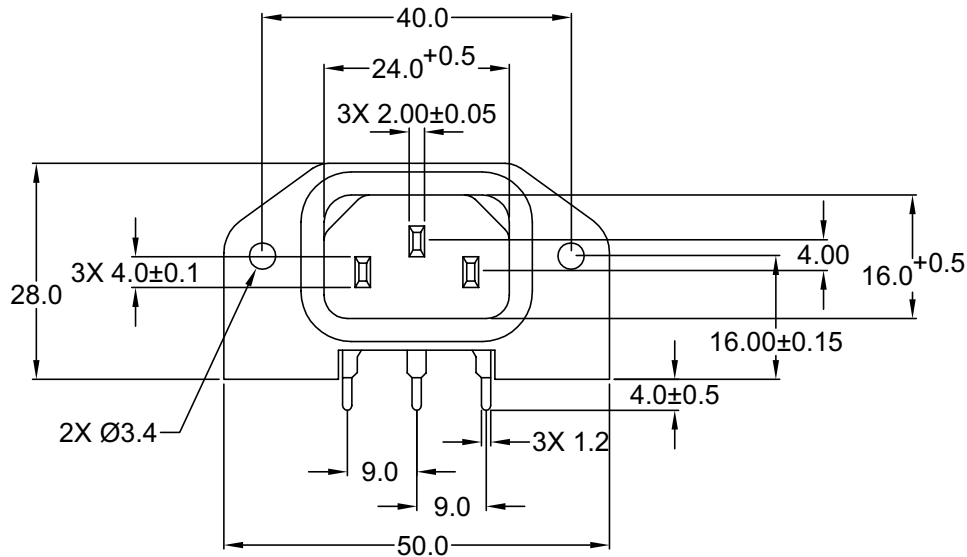


Voltage rating: 250 VAC

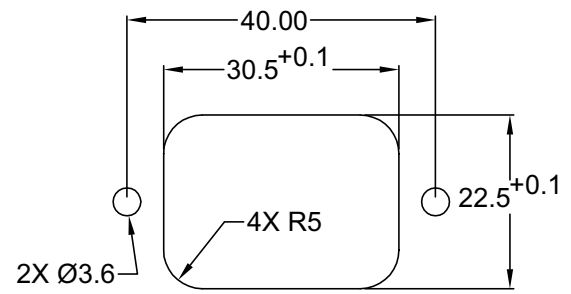
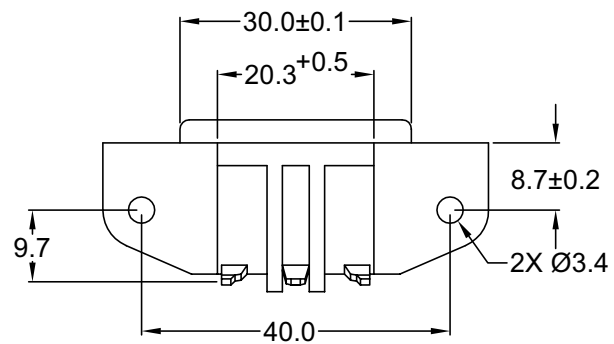
Contact resistance: 30 mohm max.

Insulation resistance: 1000 Mohm min. at 500 VDC

Dielectric withstanding voltage: 2000 VAC for one minute



RECOMMENDED PCB LAYOUT (TOP VIEW)



RECOMMENDED PANEL CUTOUT

Distributed by Electro-Stock, Inc. sales@electrostock.com
 630-682-1542 Fax 630-682-1562 http://www.electrostock.com

TOLERANCE UNLESS OTHERWISE SPECIFIED			
X	± 1		
X.X	± 0.4		
X.XX	± 0.20		
DRAWN BY	SLS	DATE:	8/10/98
CHECK BY	LH	DATE:	10/16/98
APPR BY	AH	DATE:	10/16/98

Power Dynamics, Inc.
 Phone: 973 560-0019 Whippany, New Jersey Fax: 973 560-0076

PART: IEC 60320 C14 APPL. INLET; PCB TERMINALS,
 9.7mm FOOTPRINT, SIDE FLANGE

PART #: PD-42R65-9.7		SHEET 1 of 1
SIZE: A	ALL DIMENSIONS FOR REFERENCE ONLY DIMENSIONS ARE IN MILLIMETERS	REV: A
SCALE: NTS		

D

C

B

A

6

5

4

3

2

1